



Miscellaneous Parts

Description	300 TF	300 SF	600 TF	600 SF	1200 TF	1200 SF	#
G3 Label Set - English			11940719	11940719			1
Top Label G4 - All Languages	* See Note				* See Note		1
Bottom Label G4 - English	* See Note				* See Note		1
G3 Label Set - German			13047334	13047334			1
Bottom Label G4 - German	* See Note				* See Note		1
G3 Label Set - French			13103359	13103359			1
Bottom Label G4 - French	* See Note				* See Note		1
G3 Label Set - Italian			13098511	13098511			1
Bottom Label G4 - Italian	* See Note				* See Note		1
G3 Label Set - Dutch			13122234	13122234			1
Bottom Label G4 - Dutch	* See Note				* See Note		1
G3 Label Set - Norwegian			13096865	13096865			1
Bottom Label G4 - Norwegian	* See Note				* See Note		1
G3 Label Set - Spanish			13005450	13005450			1
Bottom Label G4 - Spanish	* See Note				* See Note		1
POI - English	MN235-C4	MN235-C4	MN235-C4	MN235-C4	MN235-C4	MN235-C4	1
POI - German	MN235-C4	MN235-C4	MN235-C4	MN235-C4	MN235-C4	MN235-C4	1
POI - Spanish	MN235-C4	MN235-C4	MN235-C4	MN235-C4	MN235-C4	MN235-C4	1
POI - Italian	MN235-C4	MN235-C4	MN235-C4	MN235-C4	MN235-C4	MN235-C4	1
POI - French	MN235-C4	MN235-C4	MN235-C4	MN235-C4	MN235-C4	MN235-C4	1
POI - Dutch	MN235-C4	MN235-C4	MN235-C4	MN235-C4	MN235-C4	MN235-C4	1
POI - Norwegian	MN235-C4	MN235-C4	MN235-C4	MN235-C4	MN235-C4	MN235-C4	1
POI - Danish	MN235-C4	MN235-C4	MN235-C4	MN235-C4	MN235-C4	MN235-C4	1
POI - Greek	MN235-C4	MN235-C4	MN235-C4	MN235-C4	MN235-C4	MN235-C4	1
POI - Portugese	MN235-C4	MN235-C4	MN235-C4	MN235-C4	MN235-C4	MN235-C4	1
POI - Swedish	MN235-C4	MN235-C4	MN235-C4	MN235-C4	MN235-C4	MN235-C4	1
POI - Hebrew	MN235-C4	MN235-C4	MN235-C4	MN235-C4	MN235-C4	MN235-C4	1
POI - Hungarian	MN235-C4	MN235-C4	MN235-C4	MN235-C4	MN235-C4	MN235-C4	1
POI - Finnish	MN235-C4	MN235-C4	MN235-C4	MN235-C4	MN235-C4	MN235-C4	1
Warranty Statement	MN235-C4	MN235-C4	MN235-C4	MN235-C4	MN235-C4	MN235-C4	1

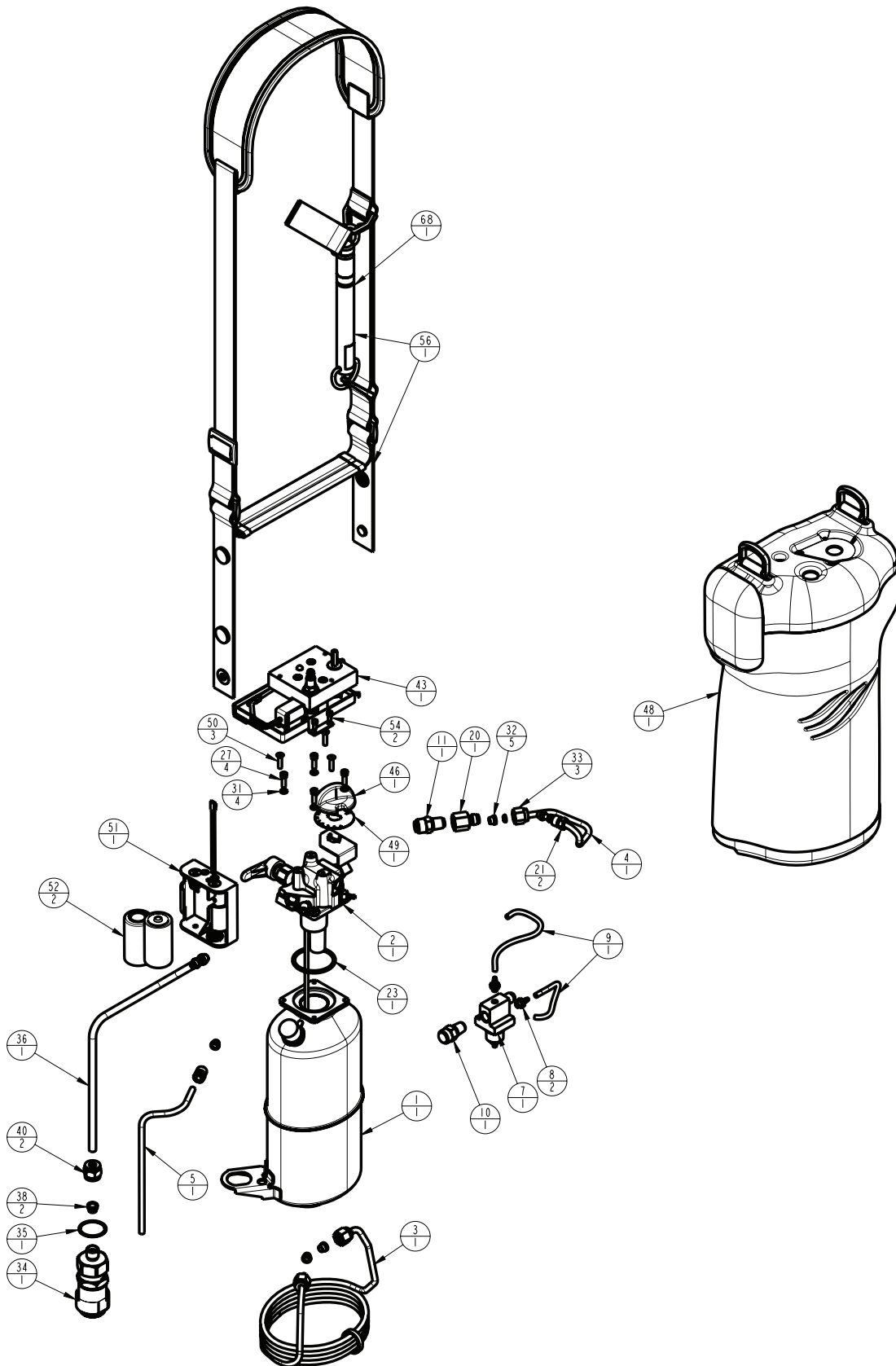
* Note: Reference Service Bulletin 21174579



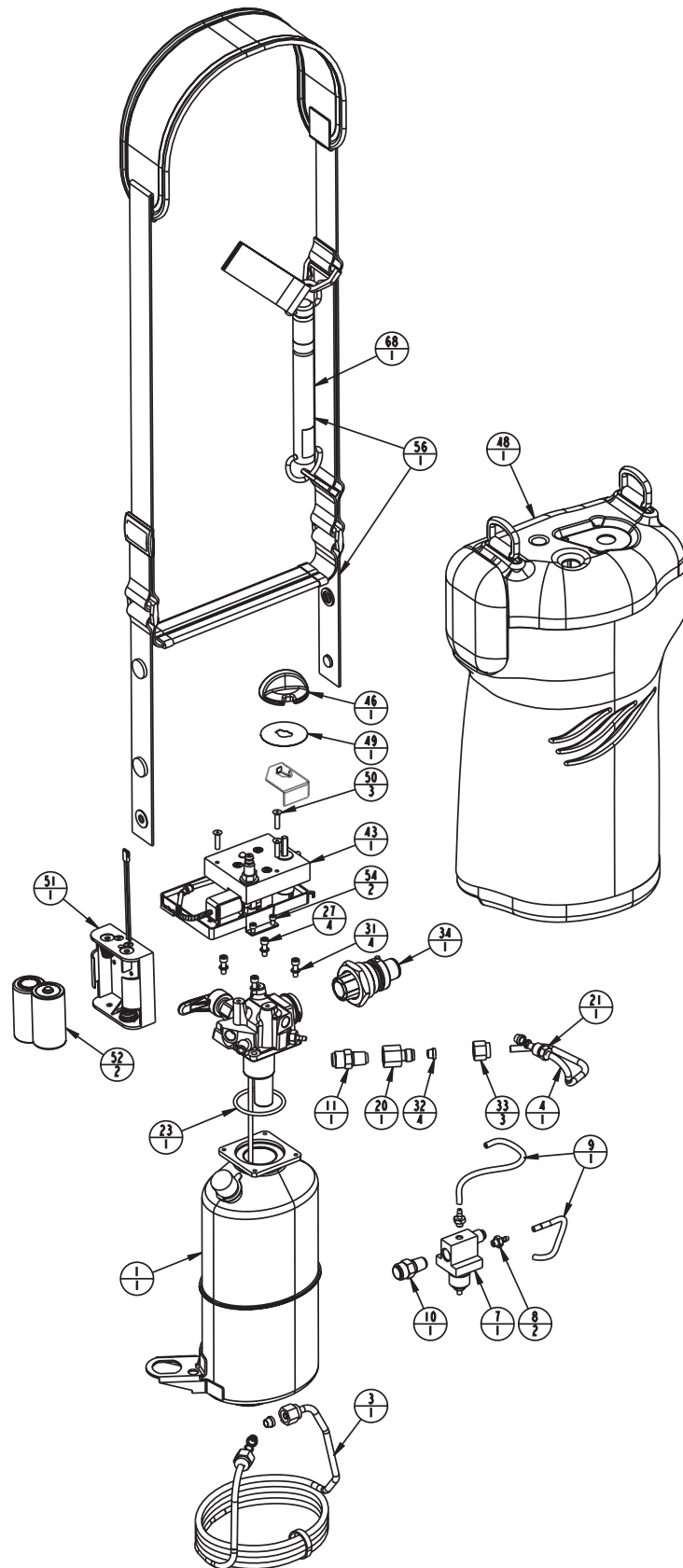
Configurable—Top Fill

Key	Description	300 TF	300 SF	600 TF	600 SF	1200 TF	1200 SF	#
1	Dewar	11794264	11794248	13175133	13175133	11897554	11897554	1
2	Manifold (see parts)	11798564	11798556	11942010	11942028	13926996	13927032	1
3	Vaporizer Coil	11798610	11798610	11798610	11798610	11897600	11897600	1
4	PRV Coil	10656185	10656185	10656185	10656185	10656185	10656185	1
5	Vent Outlet Tube	11539212	11691193	11942095	11691193	11897503	11691193	1
7	Economizer Regulator	11538586	11538586	11538586	11538586	11538586	11538586	1
8	Barb Fitting (Economizer)	10975004	10975004	10975004	10975004	10975004	10975004	2
9	Clear Tubing (Econ Inlet)	11798530	11798530	11798530	11798530	11798530	11798530	1
	Clear Tubing (Econ Outlet)	11798599	11798599	11798599	11798599	11798599	11798599	1
10	30PSI SRV	10491288T	10491288T	10491288T	10491288T	10491288T	10491288T	1
11	25PSI PRV	11539239	11539239	11539239	11539239	11539239	11539239	1
20	PRV Filter	10932098	10932098	10932098	10932098	10932098	10932098	1
21	Feed-Thru Fitting	CA404841	CA404841	CA404841	CA404841	CA404841	CA404841	2
23	Viton O-Ring (Manifold)	10579423	10579423	10579423	10579423	10579423	10579423	1
27	Screw - #6-32*7/16" SS	CA404853	CA404853	CA404853	CA404853	CA404853	CA404853	4
31	Lock Washer - #6 SS	CA404996	CA404996	CA404996	CA404996	CA404996	CA404996	4
32	Ferrule 3/16	B-775068-00	B-775068-00	B-775068-00	B-775068-00	B-775068-00	B-775068-00	5
33	Tube Nut 3/16	B-775067-00	B-775067-00	B-775067-00	B-775067-00	B-775067-00	B-775067-00	3
	TF PB QDV Lip Seal	B-775260-00		B-775260-00		B-775260-00		1
	TF PB QDV Inlet Fitting Seal	10656071		10656071		10656071		1
34	Top Fill Female QDV - PB	10566420T		10566420T		10566420T		1
	Top Fill QDV - Cryos 2	10743650T		10743650T		10743650T		1
	Top Fill QDV - Penox	10743668T		10743668T		10743668T		1
	Top Fill QDV - Taema	13708041T		13708041T		13708041T		1
35	Lock Washer - TF QDV	10712052		10712052		10712052		1
36	Fill Tube	11798601		13927059		13927083		1
38	Ferrule 1/4	B-775063-00		B-775063-00		B-775063-00		2
40	Tube Nut 1/4	B-775062-00		B-775062-00		B-775062-00		2
43	DOCD Assembly	11798521	11798521	11798521	11798521	11798521	11798521	1
46	FCV Knob - Red	10542153	10542153	10542153	10542153	10542153	10542153	1
48	Case Assembly	21015141	12896713	21015140	11940698	21015143	12934417	1
49	Flow Selection Decal	11563271	11563271	11563271	11563271	11563271	11563271	1
50	Screw - #6-32*1/2 SS	11733111	11733111	11733111	11733111	11733111	11733111	3
51	Battery Holder Rev B	13197156	13197156	13197156	13197156	13197156	13197156	1
52	OCD Battery - "C"	AAA1044	AAA1044	AAA1044	AAA1044	AAA1044	AAA1044	2
54	Screw - #4-40*1/4 PLS	11640134	11640134	11640134	11640134	11640134	11640134	2
	Shoulder Strap	13234703	13234703	13234703	13234703	13234703	13234703	1
56	Shoulder Strap w/Scale	11539790	11539790	13413787	13413787	10985780	10985780	1
68	Scale Only	11935611	11935611	11942052	11942052	11368134	11368134	1
	Condensate Pad	14061437	14061437	14061437	14061437	11684057	11684057	1

Configurable Diagram—Top Fill



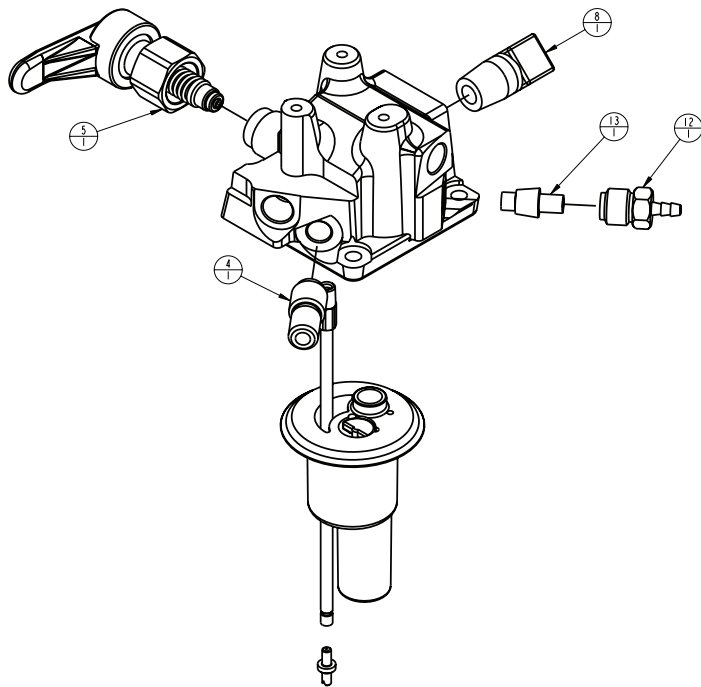
Configurable Diagram—Side Fill



Manifold—Meter

Key	Description	300 TF	300 SF	600 TF	600 SF	1200 TF	1200 SF	#
4	Vaporizer Fitting - SS	CA404839	CA404839	CA404839	CA404839	CA404839	CA404839	1
5	Vent-Valve	14004395	14004395	14004395	14004395	14004395	14004395	1
6	Retaining Ring SF QDV		10776769		10776769		10776769	1
7	Side Fill QDV		10577866T		10577866T		10577866T	1
	Side Fill QDV O-Ring		CA404838		CA404838		CA404838	1
8	Fill Elbow - Brass	10636395		10636395		10636395	10636395	1
12	Barb Fitting (to economizer)	11539221	11539221	11539221	11539221	11539221	11539221	1
13	Feed-Thru Ferrule	11878450	11878450	11878450	11878450	11878450	11878450	1

Manifold Diagram—Top Fill



Manifold Diagram—Side Fill

