

Hi Flow Stroller



Figures 3 & 4: Manifold

SF Item Number	TF Item Number	Description	Quantity	Bubble Seq No
11652186	11652282	Manifold Plate	1	1
14004395	14004395	Vent Valve (auto-close)	1	3
10564248	10564248	Vent Valve (manual-close)	1	
CA404839	CA404839	Fitting, Vaporizer Coil, SS	1	7
10776769		Retaining Ring, SF QDV	1	16
10577866T		QDV, Side Fill, Caire	1	17
	10636395	Elbow Connector, Top Fill QDV	1	17
13787877	13787877	Wire Harness, G4 Meter	1	18

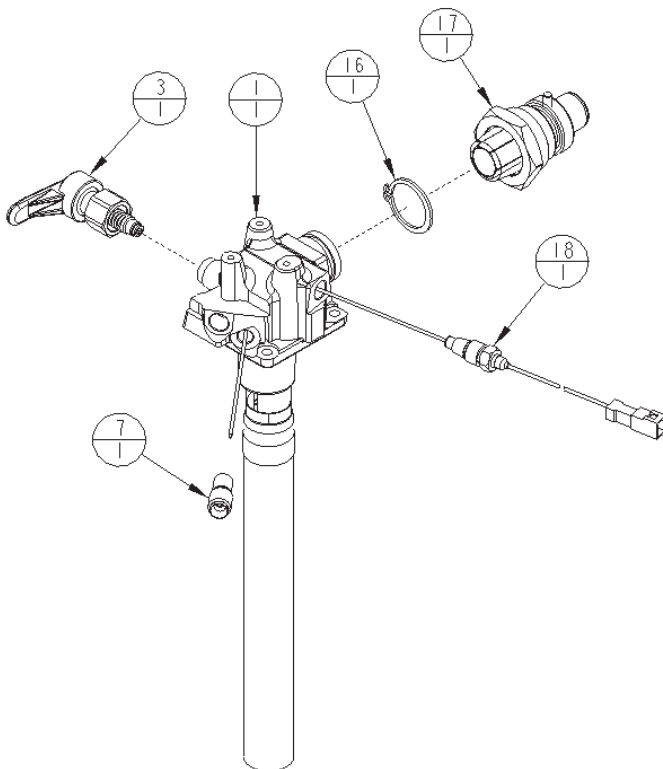


Figure 3: Side Fill Manifold

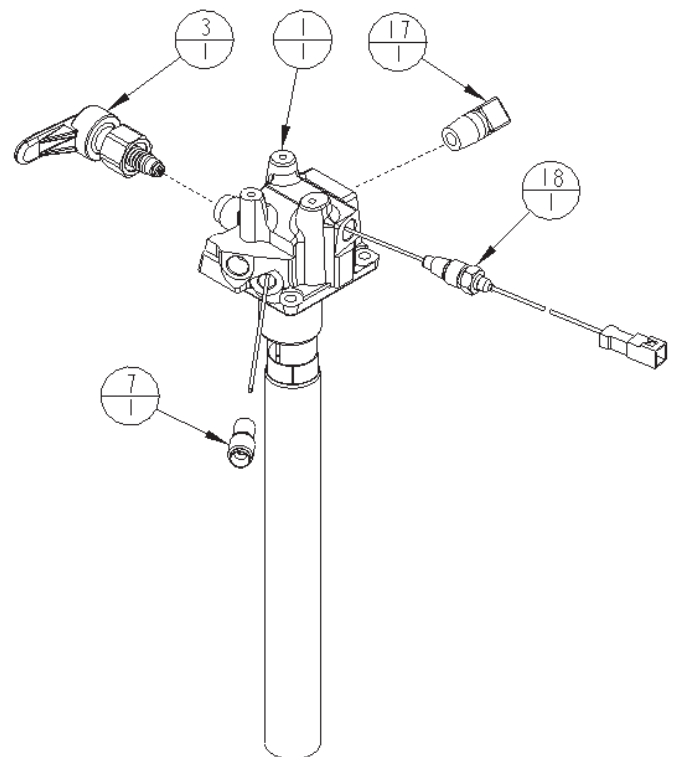


Figure 4: Top Fill Manifold