



SERVICE BULLETIN

#20609945

DATE: 6/13/2012

MODELS: Companion 1000 and Companion 1000T

ISSUE: Change in FCV Part Number and Appearance

NOTES: Effective 7/15/2012, all Companion portable units will feature a new style flow control valve. This valve will functionally replace the existing part without any change in performance. The appearance will be different than the version it replaces and is shown in Figure 1 for the C1000 and Figure 2 for the C1000T. The new flow control valve kit is also a direct replacement for any older units.



Previous C1000 FCV (B-775859-00)



New C1000 FCV (B-775859-FLO)

(Figure 1 -- Flow Control Valve Change C1000)



Previous C1000T FCV (B-775889-00)



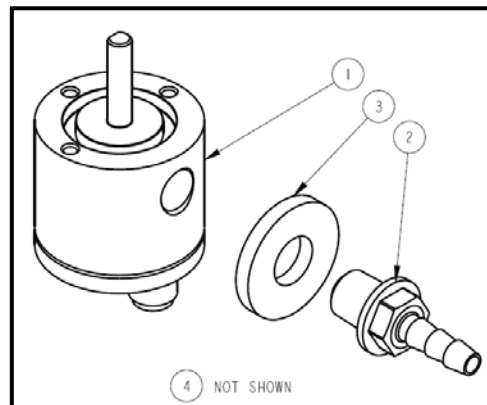
New C1000T FCV (B-775889-FLO)

(Figure 2 - - Flow Control Valve Change C1000T)

If the previous style of flow control valves are being replaced with the new style, the part numbers shown in Table 1 are required. The newer valves have a smaller diameter requiring the spacer and the longer outlet barb in order to fit properly. The kit is shown in Figure 3. However, if the unit has the newer style flow control valve kit installed, just the flow control valve can be ordered as a replacement using the part numbers in Figures 1 and 2.

Model	Flow Control Valve Being Replaced	Flow Control Valve Kit Needed
C1000	B-775859-00	20592889
C1000T	B-775889-00	20592890

(Table 1 - - Flow Control Valve Kit Part Numbers)



(Figure 3 - - Flow Control Valve Kit Diagram)

CONTACT: For any technical questions or concerns, contact Technical Service:

USA: 800-482-2473

techservice.usa@chart-ind.com

Europe: +44 1344 403100

technicalservice.europe@chart-ind.com

For ordering information or general inquires, contact Customer Service:

USA: 800-482-2473

customerservice.usa@chart-ind.com

Europe: +44 1344 403100

customerservice.europe@chart-ind.com