

Figure 1: VisionAire Main View

VisionAire 2 Item Number	VisionAire 3 Item Number	VisionAire 5 (1 LED) Item Number	VisionAire 5 (3 LED) Item Number	Description	Qty	Bubble Seq #
N/A	CA285-11S	CA280-11S	N/A	CABINET, FRONT PANEL DARK GRAY	1	1
CA285-13S	CA285-12S	CA280-12S	CA362-1S	CABINET, FRONT PANEL DARK GRAY O2 MONITOR	1	1
LA135-1	LA350-1	LA317-1	LA317-1	VISIONAIRE LOGO, LABEL	1	2
N/A	LA335-1	LA335-1	N/A	OPERATING INSTRUCTIONS, LABEL	1	3
LA335-2	LA335-2	LA335-2	LA335-2	OPERATING INSTRUCTIONS, LABEL, O2 MONITOR	1	3
F0671-1	F0671-1	F0671-1	N/A	O2 OUTLET FITTING (<i>Small</i>)	1	4
F0671-2	F0671-2	F0671-2	F0671-2	O2 OUTLET FITTING (<i>Large</i>)	1	4
SC111-1	SC111-1	SC111-1	SC111-1	SCREW, 1/4 TURN	4	5
SC112-1	SC112-1	SC112-1	SC112-1	SCREW, RETAINER, 1/4 TURN	4	6
CA263-11	CA263-11	CA263-11	CA263-11	CABINET, MOUNTING PLATE, FLOWMETER, DARK GRAY	1	7
N/A	N/A	FM033-3	N/A	FLOWMETER 1/4 FITTING (<i>06/2008 – 12/2009</i>)	1	8
FM070-1S	FM073-2	FM084-1	FM084-1	FLOWMETER 1/8 FITTING (<i>01/2010 – Present</i>)	1	8
SW154-1	SW154-1	SW154-1	SW114-1	SWITCH, ON/OFF	1	9
N/A	N/A	N/A	CA386-1S	SWITCH COVER, ASSY	1	N/A
HM015-1	HM015-1	HM015-1	HM015-1	HOURMETER	1	10
CA262-11	CA262-11	CA262-11	CA262-11	CABINET, MOUNTING PLATE, SWITCH, DARK GRAY	1	11
CR001-6	CR001-6	CR001-6	N/A	CIRCUIT BREAKER, 115V, 4A	1	12
CR001-5	CR001-5	CR001-5	CR001-5	CIRCUIT BREAKER, 230V, 2.5A	1	12
N/A	N/A	LA360-1	LA360-1	LABEL, AIR OUTLET (<i>If Equipped</i>)	1	13
N/A	N/A	FA038-1	FA038-1	FASTENER, RUBBER KEEPER (<i>If Equipped</i>)	1	14
N/A	N/A	F0724-1	F0724-1	FITTING, AIR OUTLET (<i>If Equipped</i>)	1	15
N/A	N/A	WA055-1	WA055-1	WASTER, INTERNAL LOCK (<i>If Equipped</i>)	1	16
MI268-1	MI268-1	MI268-1	MI268-1	HUMIDIFIER STRAP	1	17
CA265-12S	CA265-12S	CA265-12S	CA265-12S	CABINET, BACK PANEL DARK GRAY	1	18
CA283-11	CA283-11	CA283-11	CA283-11	CABINET, CENTER SECTION DARK GRAY	1	19
N/A	N/A	N/A	CA370-1	CABINET, COVER, PCB	1	N/A
CA271-2S	CA271-2S	CA271-2S	CA271-2S	CABINET, COMPRESSOR COVER	1	20
CS001-1S	CS001-1S	CS001-1S	CS001-1S	CASTER	4	21
CA268-11	CA268-11	CA268-11	CA268-11	CABINET, ROLLER BASE DARK GRAY (<i>No Casters</i>)	1	22
SC084-1	SC084-1	SC084-1	SC084-1	SCREW, CABINET	9	23

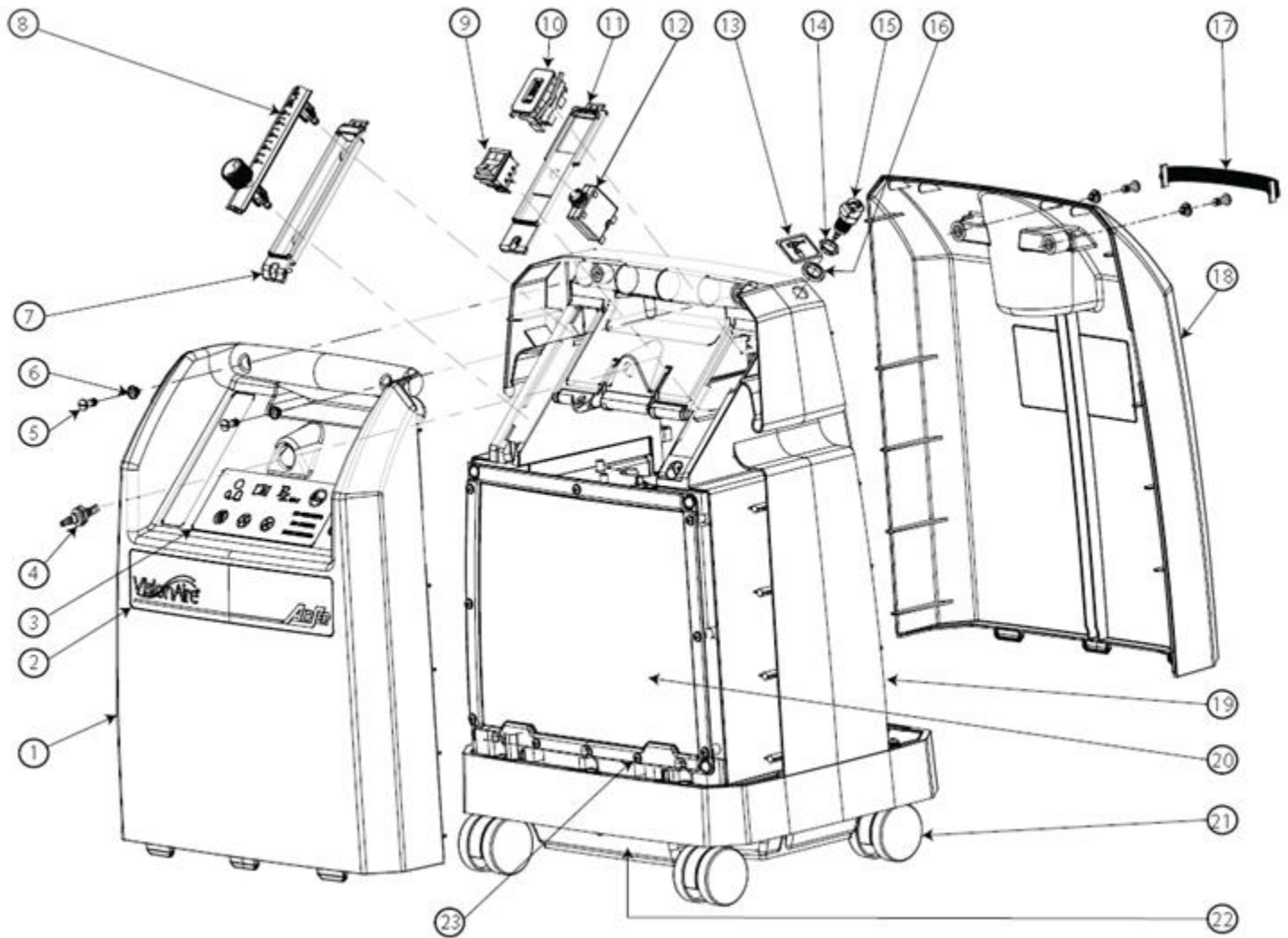


Figure 1: VisionAire Main View

Figure 2: Center Section Assembly

VisionAire 2 Item Number	VisionAire 3 Item Number	VisionAire 5 (1 LED) Item Number	VisionAire 5 (3 LED) Item Number	Description	Qty	Bubble Seq #
CA283-11	CA283-11	CA283-11	CA283-11	CABINET, CENTER SECTION	1	1
SC084-1	SC084-1	SC084-1	SC084-1	SCREW, SELFTAP, REGULATOR	2	2
RG096-1	RG096-1	RG096-1	RG096-1	REGULATOR	1	3
CA261-11	CA261-11	CA261-11	CA261-11	CABINET, HANDLE, PLATE	1	4
CB166-1	CB166-1	CB166-1	CB196-1	CIRCUIT BOARD, O2 MONITOR	1	5
SC119-1	SC119-1	SC119-1	SC119-1	SCREW, O2 MONITOR	2	6
N/A	TU206-1	TU206-1	N/A	CHECK VALVE TUBING ASSY	1	7
TU206-2	TU206-2	TU206-2	TU206-2	CHECK VALVE TUBING ASSY, O2 MONITOR	1	7
VA543-1	VA543-1	VA543-1	VA543-1	CHECK VALVE, FROM SIEVE BEDS, CLEAR	2	N/A
VA142-3	VA142-3	VA142-3	VA142-3	CHECK VALVE, INLINE, CLEAR	1	8
VA304-1	VA304-1	VA304-1	VA304-1	CHECK VALVE, OPEN END, BLACK & WHITE	1	9
SC037-4	SC037-4	SC037-4	SC037-4	SCREW, SELFTAP, CABINET HANDLE	2	10
TW017-1	TW017-1	TW017-1	TW017-1	TIE WRAP, HEAT STABILIZED	2	11
TA201-1S	TA121-1S *	TA121-1S *	N/A	MIXING TANK, WITH 1/8" BARBS	1	12
N/A	TA196-1S	TA196-1S	TA196-1S	MIXING TANK, WITH 1/4" BARBS	1	12
TW002-1	TW002-1	TW002-1	TW002-1	TIE WRAPS, SIEVE BEDS	4	13
BE187-4S	BE187-2S	BE187-2S	BE187-2S	SIEVE BED SET, ASSY	1	14

* Note: When replacing TA121-1S use upgrade kit PN KI373-1 to upgrade mixing tank with 1/8" barbs to current mixing tank with 1/4" barbs.

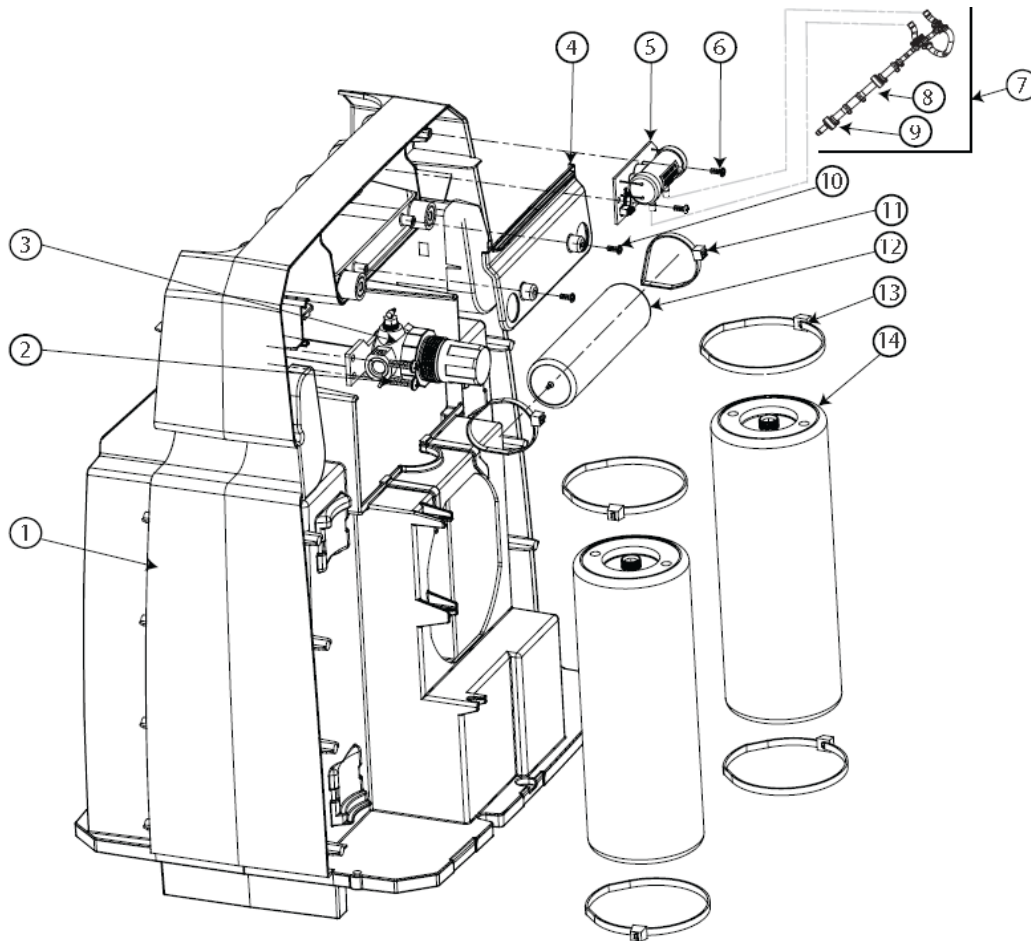


Figure 2: Center Section Assembly

Figure 3: Compressor Enclosure Assembly

VisionAire 2 Item Number	VisionAire 3 Item Number	VisionAire 5 (1 LED) Item Number	VisionAire 5 (3 LED) Item Number	Description	Qty	Bubble Seq #
TU166-1	TU166-1	TU166-1	TU166-1	TUBING, BRAIDED SILICONE	1	1
MO025-1	MO025-1	MO025-1	MO025-1	MOUNT, COMPRESSOR	2	2
SC003-3	SC003-3	SC003-3	SC003-3	SCREW, SELFTAP, COMPRESSOR MOUNT	2	3
TU180-064	TU180-064	TU180-064	TU056-1	TUBING, EXHAUST	1	4
TW017-1	TW017-1	TW017-1	TW017-1	TIE WRAP, HEAT STABILIZED	1	5
AL018-1	AL018-1	AL018-1	AL022-1	ALARM, BUZZER	1	6
SC037-4	SC037-4	SC037-4	SC037-4	SCREW, SELFTAP, ALARM / CIRCUIT BOARD	5	7
CB152-1	CB152-1	CB078-1	N/A	CIRCUIT BOARD, MAIN, 115V	1	8
CB152-1	CB152-1	CB078-2	CB199-2S	CIRCUIT BOARD, MAIN, 230V	1	8
CC012-8	CC012-8	CC012-8	N/A	CAPACITOR, 115V	1	9
CC012-10	CC012-10	CC012-6	CC012-6	CAPACITOR, 230V 50Hz	1	9
CC012-12	CC012-12	CC012-10	N/A	CAPACITOR, 230V 60Hz	1	9
TW001-3	TW001-3	TW001-3	TW001-3	TIE WRAP, 4" LONG	2	10
FO146-1	FO146-1	FO146-1	FO146-1	FOAM, FAN MOUNT	1	11
FN019-1	FN019-1	FN041-1	N/A	FAN, 115V	1	12
FN047-1	FN047-1	FN046-1	FN046-1	FAN, 230V	1	12
CA284-1	CA284-1	CA284-1	CA284-1	CABINET, COMPRESSOR, ENCLOSURE	1	13
MU082-1	MU082-1	MU082-1	MU082-1	MUFFLER, CHAMBER	1	14
MU043-1S	MU043-1S	MU043-1S	MU043-1S	MUFFLER, EXHAUST, TOP HALF	1	15
F0005-3	F0005-3	F0005-3	F0005-3	FITTING, MUFFLER	1	16

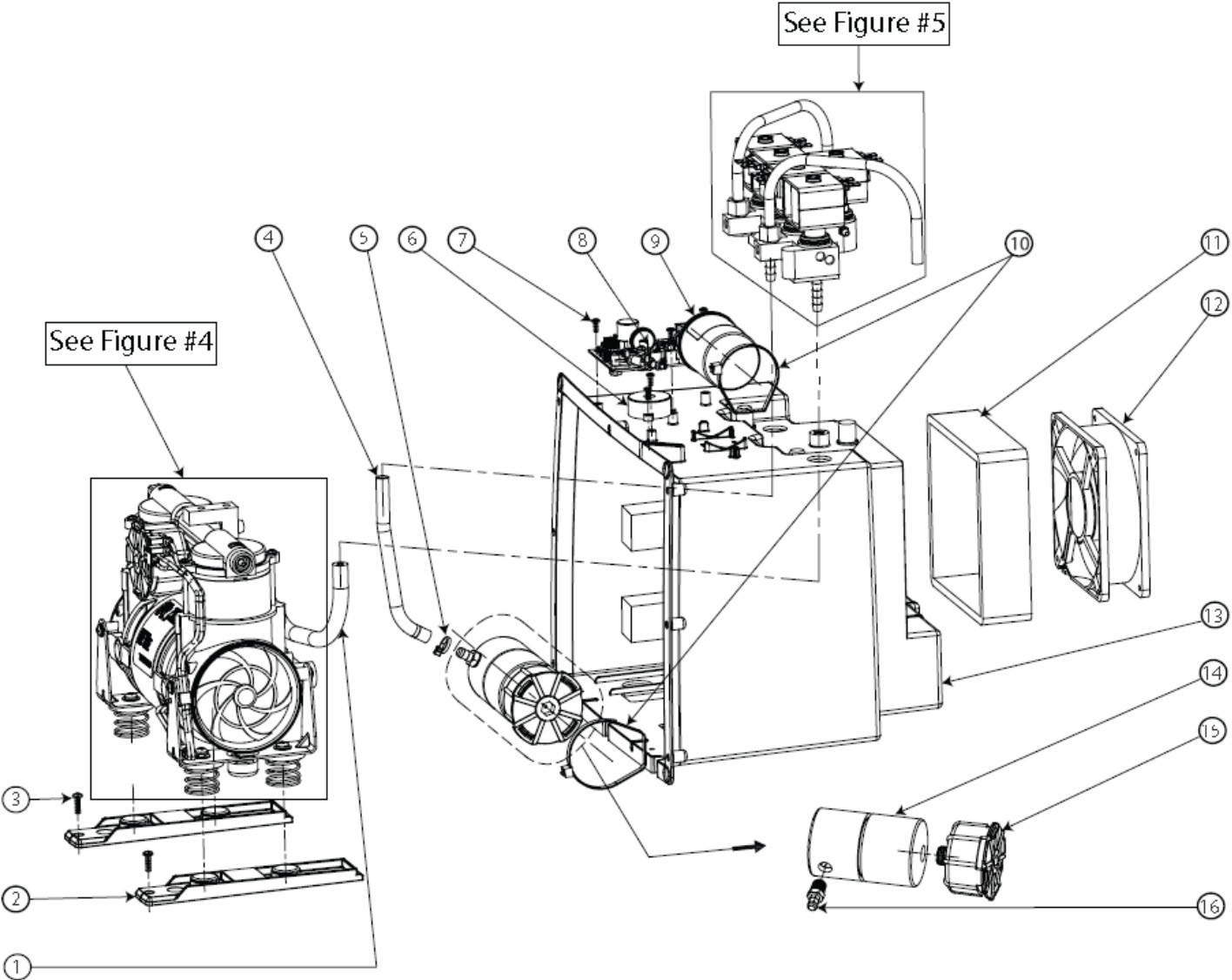


Figure 3: Compressor Enclosure Assembly

Figure 4: Compressor Assembly

VisionAire 2 Item Number	VisionAire 3 Item Number	VisionAire 5 (1 LED) Item Number	VisionAire 5 (3 LED) Item Number	Description	Qty	Bubble Seq #
N/A	N/A	CO439-1	N/A	COMPRESSOR, 115V 60Hz, 36 STROKE	1	1
N/A	N/A	CO439-2	CO439-2	COMPRESSOR, 230V 50Hz, 44 STROKE	1	1
N/A	N/A	CO439-3	N/A	COMPRESSOR, 230V 60Hz, 36 STROKE	1	1
CO439-6	CO439-6	N/A	N/A	COMPRESSOR, 115V 60Hz, 26 STROKE	1	1
CO439-5	CO439-5	N/A	N/A	COMPRESSOR, 230V 50Hz, 26 STROKE	1	1
F0644-1	F0644-1	F0644-1	F0644-1	FITTING, BRASS, ELBOW	1	2
VA554-1	VA554-1	VA554-1	VA554-1	VALVE, RELIEF, 40 PSI	1	3
OR032-1	OR032-1	OR032-1	OR032-1	O-RING	2	4
CO432-2	CO432-2	CO432-2	CO432-2	FILTER, COMPRESSOR END CAP, EXTERIOR	2	6
SC137-1	SC137-1	SC137-1	SC137-1	SCREW, END CAP	6	7
CL035-1	CL035-1	CL035-1	4323-SEQ	CLAMP, WIRE	1	8
SC133-1	SC133-1	SC133-1	SC133-1	SCREW, COMPRESSOR	4	9
MO026-1	MO026-1	MO026-1	MO026-1	MOUNT, RUBBER SPRING	4	10
SP021-1	SP021-1	SP021-1	SP021-1	SPRING	4	11
WA065-1	WA065-1	WA065-1	WA065-1	WASHER, SPRING MOUNT	4	12
SC139-1	SC139-1	SC139-1	SC139-1	SCREW, SPRING MOUNT	4	13

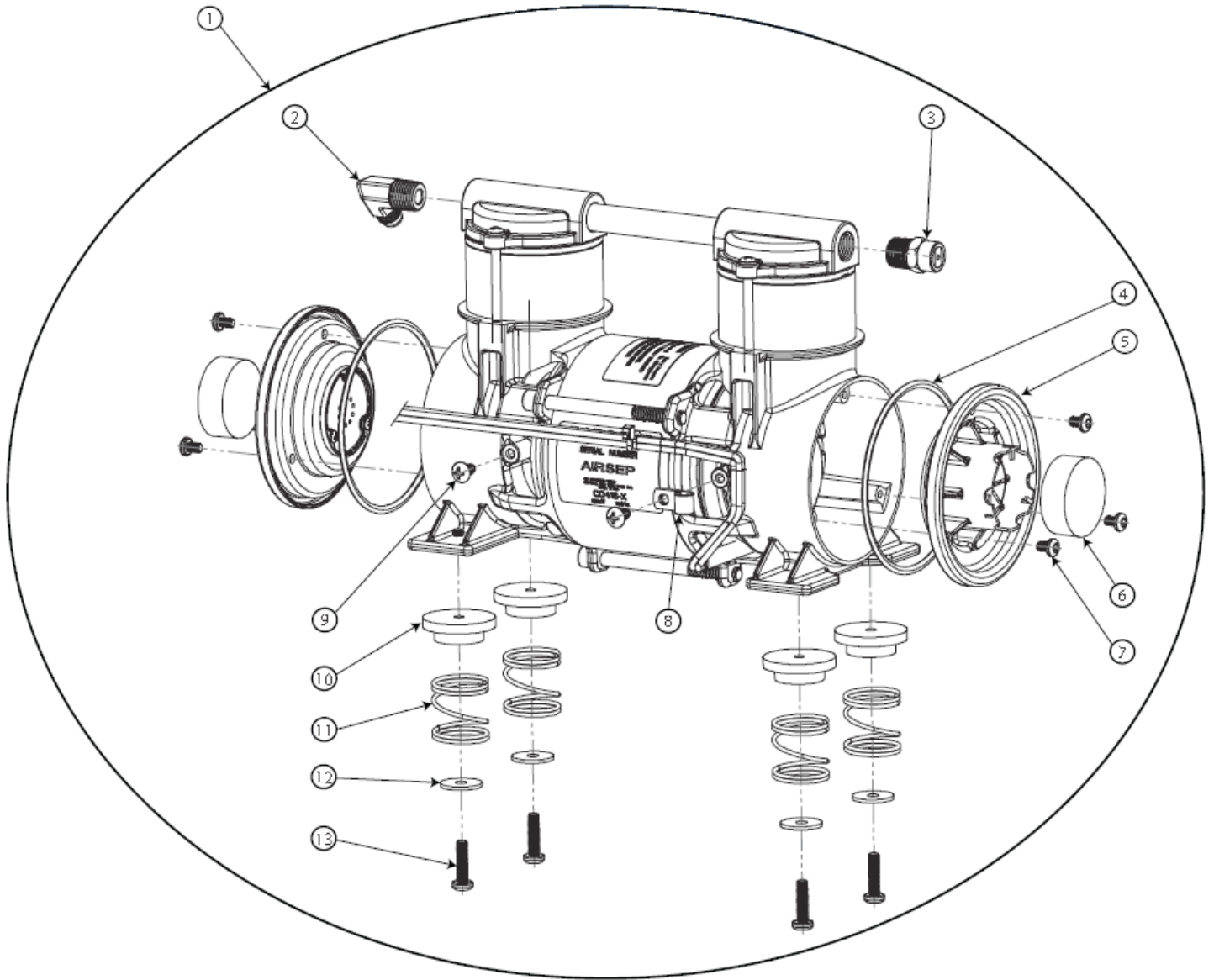


Figure 4: Compressor Assembly

Figure 5: Valve Manifold Assembly

VisionAire 2 Item Number	VisionAire 3 Item Number	VisionAire 5 (1 LED) Item Number	VisionAire 5 (3 LED) Item Number	Description	Qty	Bubble Seq #
VA536-1	VA536-1	VA536-1	VA536-1	MANIFOLD ASSY (<i>Includes Bubble # 17 and Hose Barbs Only – See Picture</i>)	1	1
TU168-2	TU168-2	TU168-2	TU168-2	FORMED TUBING (<i>Connects Sieve Bed to Manifold</i>)	2	2
F0134-1	F0134-1	F0134-1	F0134-1	FITTING, COMPRESSION, 5/16"	4	3
OR022-1	OR022-1	OR022-1	OR022-1	O-RING, MOUNTING BOLT	1	4
HA064-1	HA064-1	HA064-1	HA064-1	HARDWARE, COIL, E-CLIP	5	5
VA374-4	VA374-4	VA374-4	VA374-4	VALVE, COIL, FEED/WASTE	4	6
VA374-6	VA374-6	VA374-6	VA374-6	VALVE, COIL, EQ	1	6
F0517-1	F0517-1	F0517-1	F0517-1	FITTING, BRASS, EQ	2	7
FO148-1	FO148-1	FO148-1	FO148-1	FOAM, EXHAUST, FITTING	1	8
TW001-4	TW001-4	TW001-4	TW001-4	TIE WRAP, 4" LONG	1	9
TU180-064	TU180-064	TU180-064	TU056-1	TUBING, EXHAUST	1	10
F0645-1	F0645-1	F0645-1	F0645-1	FITTING, SWIVEL HOSE BARB	1	11
TU165-1	TU165-1	TU165-1	TU165-1	TUBING, BRAIDED SILICONE	1	12
TW016-1	TW016-1	TW016-1	TW016-1	TIE WRAP, 4.88" LONG	2	13
FO147-1	FO147-1	FO147-1	FO147-1	FOAM, FEED, FITTING	1	14
F0037-4	F0037-4	F0037-4	F0037-4	FITTING, BRASS, MULTIBARB, FEED/WASTE	2	15
SC118-1	SC118-1	SC118-1	SC118-1	SCREW, MOUNTING BOLT	1	16
MA198-1	MA198-1	MA198-1	MA198-1	MANIFOLD, VALVE BLOCK	1	17
F0494-1	F0494-1	F0494-1	F0494-1	FITTING, BRASS	2	18
TW011-2	TW011-2	TW011-2	TW011-2	TIE WRAP, 2.83" LONG	4	19
TU152-070	TU152-070	TU152-070	TU055-1	TUBING, PRESSURE PORT	2	20

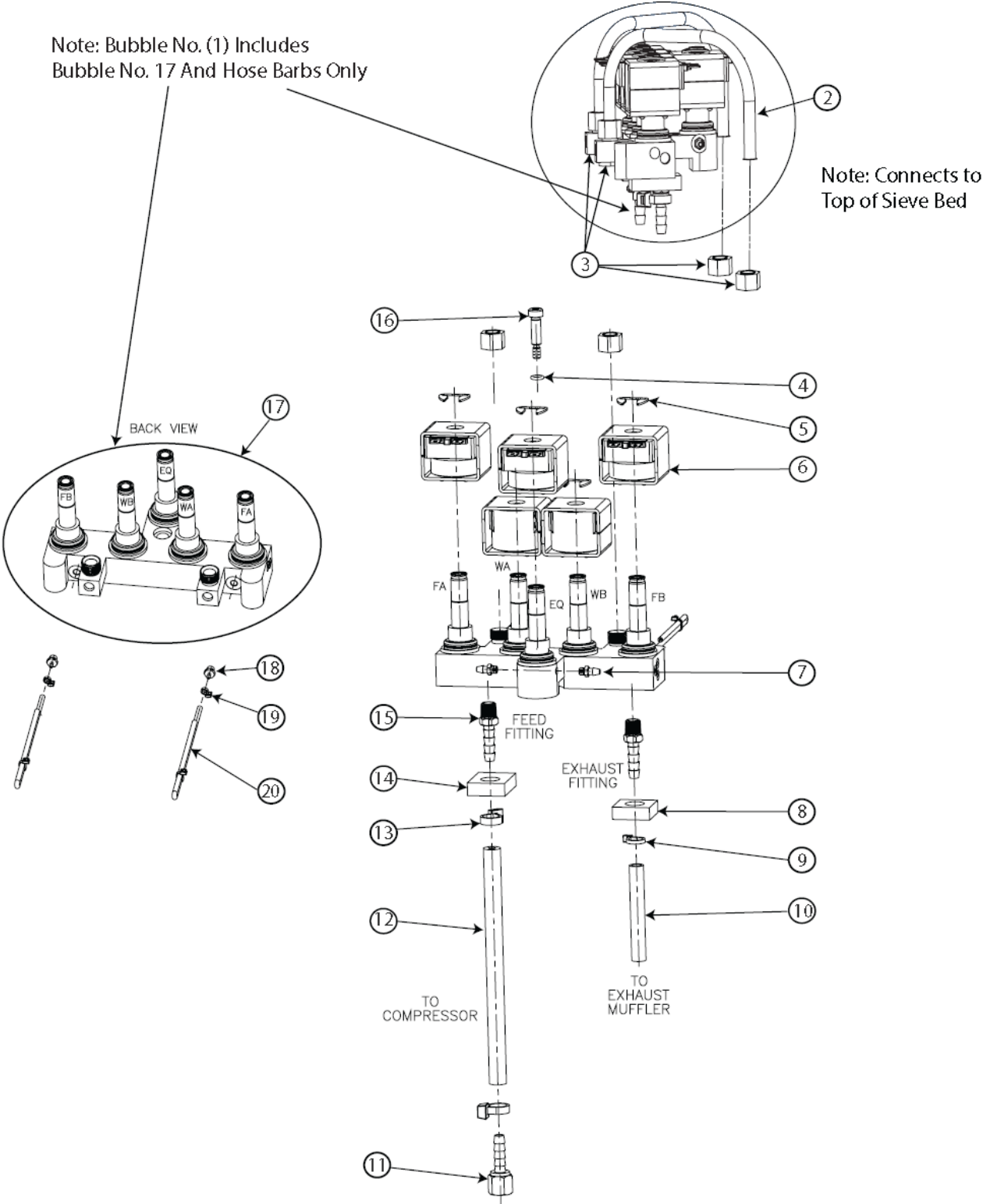


Figure 5: Valve Manifold Assembly

Figure 6: Circuit Board Wiring Schematic

VisionAire 2 Item Number	VisionAire 3 Item Number	VisionAire 5 (1 LED) Item Number	VisionAire 5 (3 LED) Item Number	Description	Qty	Bubble Seq #
WH129-2	WH129-2	WH129-1	WH129-1	WIRE HARNESS, POWER SWITCH/FAN/PCB/HOUR METER	1	1
WH120-1	WH120-1	WH120-1	WH146-1	WIRE HARNESS, POWER SWITCH	1	2
WH106-1	WH106-1	WH106-1	WH145-1	WIRE HARNESS, O2 LED <i>(If Equipped)</i>	1	3
WH107-1	WH107-1	WH107-1	WH107-1	WIRE HARNESS, O2 MONITOR <i>(If Equipped)</i>	1	4
WH109-1	WH109-1	N/A	N/A	WIRE HARNESS, TEMPERATURE PROBE	1	5
WH105-1	WH105-1	WH105-1	WH105-1	WIRE HARNESS, VALVES	1	6
WH108-1	WH108-1	WH108-1	WH108-1	WIRE HARNESS, JUMPER	2	N/A
CD011-13S	CD011-13S	CD011-13S	N/A	AC POWER CORD, 115V W/O FERRITE RING <i>(North American Plug)</i>	1	7
CD011-14S	CD011-14S	CD011-14S	CD011-14S	AC POWER CORD, 220V W/O FERRITE RING <i>(European Plug)</i>	1	7

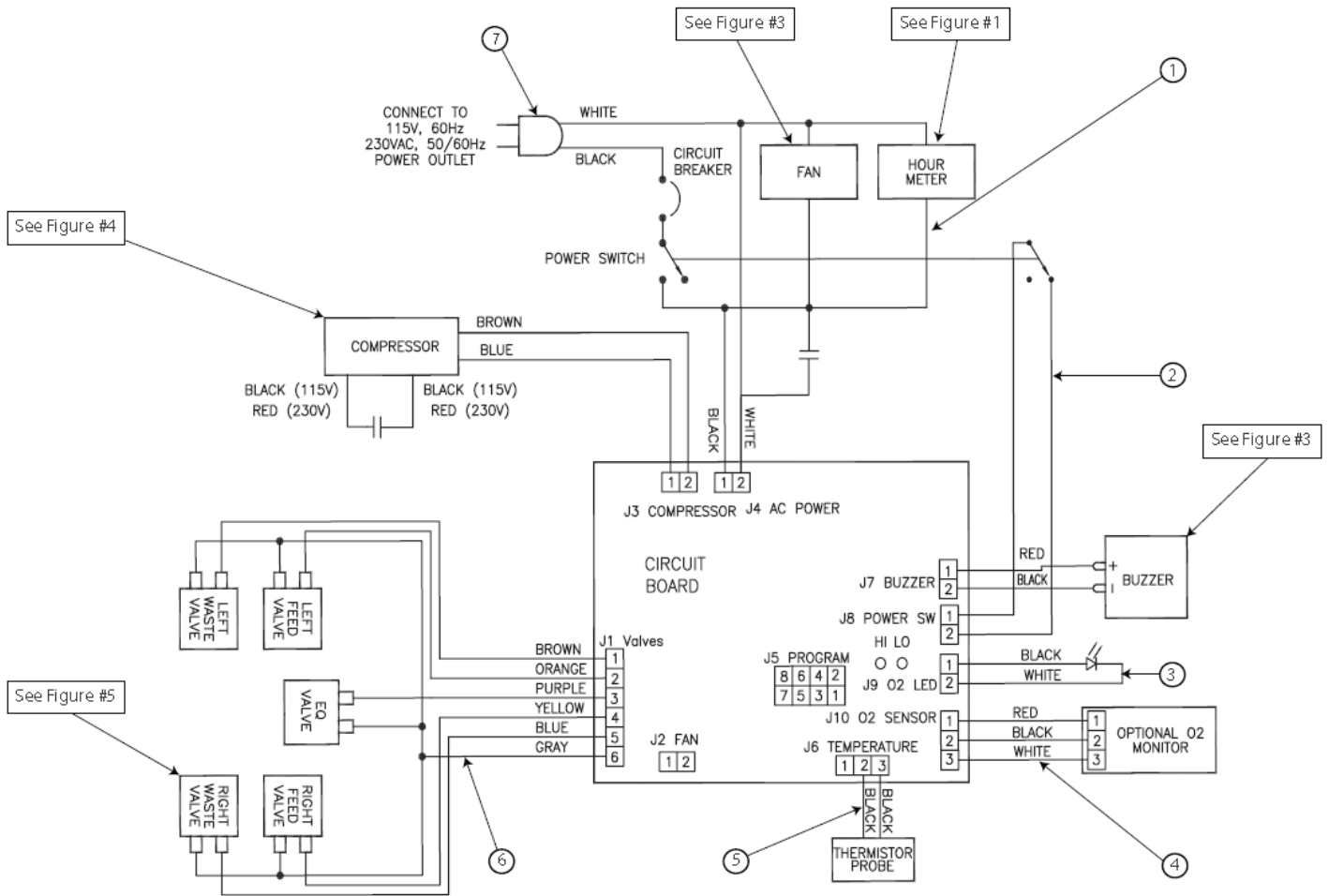


Figure 6: Circuit Board Wiring Schematic