



SeQual® Quad-60

PSA ATF Oxygen Concentrator Subsystem



INSTRUCTION MANUAL

QUAD SERIES

Tables of Contents

1.0 Introduction

1.1	GENERAL	5
1.2	CAUTIONS, WARNINGS AND HAZARDS	5
1.3	PATENTS, TRADEMARKS AND COPYRIGHT	6

2.0 Installation

2.1	MOVING AND LOCATING	7
2.2	ELECTRICAL HOOKUP	7
2.3	AIR HOOKUP	7
2.4	OXYGEN HOOKUP	8

3.0 Operation

3.1	START-UP	9
3.2	OXYGEN MONITOR	9

4.0 Maintenance

4.1	GENERAL	11
-----	---------	----

5.0 Troubleshooting

5.1	EQUIPMENT	13
5.2	GENERAL TROUBLESHOOTING PROCEDURE	13
5.3	ATF MODULE TESTING	14

6.0 Technical Data

6.1	SPECIFICATIONS	15
6.2	DRAWINGS AND SCHEMATICS	16

7.0 Service Parts

7.1	SERVICE PARTS	17
7.2	REPLACEMENT TUBING	17
7.3	TECHNICAL SUPPORT	18

List of Figures and Tables

Figure 5.1:	Diagnostic Test Setup for ATF Module	14
Table 6.1:	Quad-60 Specifications	15
Figure 6.1:	Mechanical Outline Drawing - Quad-60	16
Table 7.1:	Quad Service Parts	17
Table 7.2:	Quad Replacement Tubing	17

1.0 Introduction

1.1 GENERAL

Operation of the Oxygen Concentrator Subsystem is based on the Pressure Swing Adsorption (PSA) cycle using synthetic zeolite molecular sieve. This 60 SCFH unit consists of four Advanced Technology Fractionator® (ATF) oxygen modules installed on a quad base configured into a manifolded unit for air input and oxygen output.

There are four LEDs on the front panel of the quad base. The green LED is on as long as power is supplied to the system. The yellow LED is on when the concentration is between 70 and 85%. Lower than 70% concentration, the yellow LED turns off and the bottom red LED turns on. When the yellow LED is on, pins 4 and 5 on the DB-9 connector are closed. When the red is on, pins 2 and 3 are closed.

The oxygen outlet solenoid valve does not open until the outlet manifold pressure achieves 6 psig. It closes if the pressure drops below 4 psig. When this occurs, the top red LED will light and oxygen flow will stop.

The air inlet solenoid valve opens immediately upon power up. If the unit does not achieve concentration greater than 70% for more than five minutes, this valve will close. This action will cause the oxygen outlet flow to go to zero since no air is flowing in. The oxygen manifold pressure switch will then drop below its 4 psig threshold, thus closing the outlet valve and turning on the top red LED. With no flow, the concentration will drop below the 85% margin and the yellow LED alarm will come on, closing pins 4 and 5 on the DB-9 connector.

The system must be powered down and back up in order to reset the alarms.

1.2 CAUTIONS, WARNINGS AND HAZARDS

Oxygen is a powerful oxidizing agent. It can cause fire or explosion. Observe strict cleanliness procedures when fabricating and connecting the oxygen piping. It is imperative that oxygen systems be properly cleaned and inspected to insure that no combustible materials remain in the system. Do not allow the free flow of oxygen from any ATF module or from any point on the oxygen manifold.

Do not apply air without power to the Oxygen Concentrator Subsystem. The Oxygen Concentrator Subsystem must be powered up when air is turned on. Do not apply more than 25 psig air pressure to the inlet manifold. The Oxygen Concentrator Subsystem is protected with a 25 psig relief valve on the inlet manifold.

Do not allow rain or condensation to contact the Oxygen Concentrator Subsystem. The Oxygen Concentrator Subsystem is not weather proof. It must be operated inside or in an enclosure in a non-condensing environment. The ATF's require clean, dry air.

The Oxygen Concentrator Subsystem should be installed and operated per the Compressed Gas Association Guide P-8.1–2016 “Safe Installation and Operation of PSA and Membrane Oxygen and Nitrogen Generators.”

If not already provided, connect an earth ground wire of suitable size, according to local regulations, to the electrical enclosure.

1.3 PATENTS, TRADEMARKS AND COPYRIGHT

The Oxygen Concentrator Subsystem is protected by the following US Patents:

- 4,925,464
- 5,112,367
- 5,114,441
- 5,268,021
- 5,366,541
- 5,593,478
- 5,730,778
- Re. 35,099
- Other patents pending

2.0 Installation



There are internal packaging materials that must be removed from the unit. Do not attempt to operate the Oxygen Concentrator Subsystem without removing these packaging materials.

2.1 MOVING AND LOCATING

Ensure that there is sufficient access space around the Oxygen Concentrator Subsystem so that service can be performed.



The location of the Oxygen Concentrator Subsystem must be well ventilated to prevent suffocation of personnel.

Refer to the recommendations in the Compressed Gas Association Guide P-8.1--2016 "Safe Installation and Operation of PSA and Membrane Oxygen and Nitrogen Generators."



Choose a location for the Oxygen Concentrator Subsystem that does not allow rain or condensation to contact the unit.

2.2 ELECTRICAL HOOKUP

Connect the Oxygen Subsystem power cord to a grounded AC power source, according to the rating on the label.

2.3 AIR HOOKUP

The air connection is made using $\frac{3}{4}$ " ID barb from the compressor outlet fitting to the Oxygen Subsystem inlet fitting.

Best practice recommends the use of a coalescing filter immediately upstream of the Quad in the air line, to remove any liquid water droplets that may have condensed in the tubing or piping since the last water trap or dryer. A filter is supplied with the Quad for this purpose. Ideal location is slightly below the Quad, if possible. Note that some piping runs may require additional filtration if the conditions are such that more liquid water is condensing than the filter can adequately remove from the air stream.



The inlet air temperature must not exceed 120° F. The air pressure must not exceed 25 psig.

2.4 OXYGEN HOOKUP

Remove the cap covering the oxygen output only when you are ready to connect the Oxygen Concentrator Subsystem to your system. This is a 1/8" female pipe thread. Be sure to support the bulkhead fitting when installing your connection.



Oxygen is a powerful oxidizing agent. It can cause fire or explosion. Observe strict cleanliness procedures when fabricating and connecting the oxygen piping. If you are not familiar with oxygen cleaning procedures, refer to the Compressed Gas Association documents G-4.1–2018 “Cleaning Equipment for Oxygen Service” and G-4.4 “Industrial Practices for Gaseous Oxygen Transmission and Distribution Piping Systems.”

3.0 Operation

3.1 START-UP

Before activating the system, verify all of the connections are installed as described in the previous section. In order to prevent system shutdown, air must be supplied within 5 minutes of system power-up, with inlet pressure set at 20 psig, as read on front panel.



The inlet air temperature must not exceed 120° F. The air pressure must not exceed 25 psig.

After the outlet solenoid valve opens, (the outlet manifold gauge will read above 6 psi) open the flow meter valve and set the outlet oxygen flow. If the flow meter valve is opened prior to the solenoid valve opening, the violent inrush of oxygen flow could damage the flow meter. Allow at least fifteen minutes for the system to stabilize. Check all connections for leaks while the system is warming up. If, after fifteen minutes, the system is not producing the correct amount of oxygen, check the Troubleshooting section.



Do not allow the oxygen product to vent freely. Do not exceed rated capacity. It is highly recommended that an accurate flow meter be fitted to the oxygen outlet in order to monitor the flow from the Oxygen Concentrator Subsystem. This is supplied with the system.

3.2 OXYGEN MONITOR

Once the system is turned on, the green LED on the front panel should be lit. During the fifteen minute warm-up time, you will see the oxygen monitor LEDs on the front panel turn from red to yellow. The red LED will be on when the concentration is below 70%. When the concentration is above 70%, the red LED will turn off and the yellow LED will turn on. The yellow LED will turn off when concentration is above 85%.

There is a DB-9 connector under the LEDs. Pins 2 and 3 correspond to the red LED alarm with a contact closure. Pins 4 and 5 correspond to the yellow LED alarm, also with a contact closure. The relay contacts are rated at one amp 120 VAC. Pins 1 and 6 supply a 0-1 volt DC level, which relates to the oxygen concentration. Zero volts is 0% and 1 volt is 100%. Pin 1 is the reference.

4.0 Maintenance

4.1 GENERAL

There is no scheduled maintenance required on the ATF Oxygen Modules. The solenoid valves will need scheduled rebuilding depending on environmental conditions and use.

5.0 Troubleshooting

5.1 EQUIPMENT

Special equipment required for troubleshooting and repairing the Oxygen Concentrator Subsystem includes:

- Portable Oxygen Analyzer (MSA Miniox I Analyzer, P/N 473030), or equivalent

Available from:

Mine Safety Appliance (MSA)
P.O. Box 426
Pittsburgh, PA 15230 USA
(800) 672-2222

- Flow meter with needle valve that measures 20 SCFH
- Pressure gauge that measures 0 to 30 psig.

5.2 GENERAL TROUBLESHOOTING PROCEDURE

Before starting the troubleshooting procedure on individual ATF modules, ensure that the electrical, air and oxygen connections to the Oxygen Concentrator Subsystem are adequate and functional. Determine first if the applied power is within specification and that no fuses are open. Next, determine if the required air quality, pressure and flow are met. Finally, inspect the oxygen connection to determine that there are no leaks or excessive flow rates. If the system appears to be operating normally but oxygen concentration or pressure is not within specifications, then follow this procedure.

1. Verify that the oxygen flow from the system is within specifications for your model. Use an accurate flow meter that is calibrated or corrected for the oxygen concentration, temperature and pressure of the stream. Using an air flow meter can result in errors of more than 6%.
2. Check for leaks in the oxygen piping upstream of the flow meter. Use Snoop® Liquid Leak Detector (Nupro, Willoughby, OH) or an equivalent leak test liquid. Check all joints and fittings starting at the oxygen ports of the ATF modules and working towards the flow meter location.
3. Verify that the motor of each ATF module is rotating (best done by marking the visible end of the shaft).
4. Verify that the compressed air pressure is between 18 and 22 psig (use an accurate gauge). Check for leaks in the air piping. Use Snoop® Liquid Leak Detector (Nupro, Willoughby, OH) or an equivalent leak test liquid. Check all joints and fittings starting at the air inlet ports of the ATF modules and working back towards the air supply. Check the pressure relief valve as well.

5. Check filters. Shut off the system to inspect any filter fitted on the system. Inspect the filter element and replace if it appears obstructed.
6. Verify that the ambient conditions are within specification. These include the temperature (40 to 110°F) and barometric pressure (28 to 31 in Hg). Ensure that the oxygen levels in the space surrounding the system are not reduced (must be at least 20%).

If none of the above items corrected the situation, the individual ATF modules must be checked for performance. Refer to section ATF module Testing.

5.3 ATF MODULE TESTING

To determine if an ATF module has failed, first turn off the Oxygen Concentrator Subsystem. Remove the oxygen outlet tube from the ATF module. Connect the ATF module oxygen outlet to 20 SCFH flow meter, pressure gauge and oxygen analyzer as shown in the following diagram. Plug the now disconnected tube leading to the oxygen manifold on the Oxygen Concentrator Subsystem to prevent the backflow of oxygen out the disconnected tube.

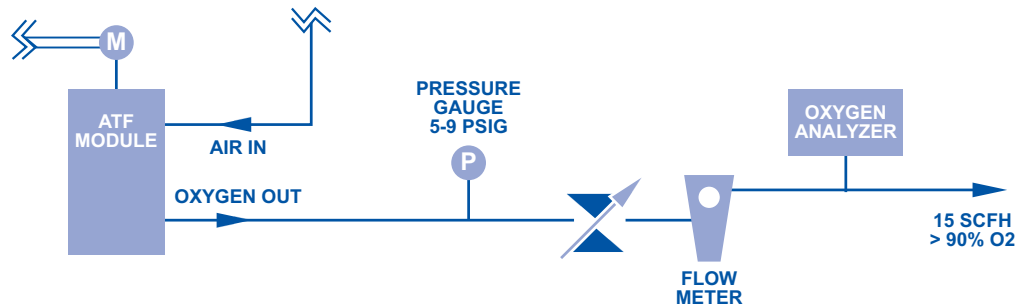


Figure 5.1: Diagnostic Test Setup for ATF Module

Power on the Oxygen Concentrator Subsystem. Allow at least 15 minutes for pressures and concentrations to stabilize. The air pressure applied to the ATF Module should be between 18 and 22 psig. The oxygen pressure from the ATF module should be at least 15 psig with an oxygen flow of 15 SCFH. The oxygen concentration should be 90% + 3% at this same flow. If the air pressure is within specification and either the oxygen concentration or pressure is not in specification, replace the ATF Module. If the concentration and pressure are within specification, repeat the test on the other three ATF Modules located in the ATF Unit. If the air pressure is not within specification, the cause must be determined and remedied prior to testing individual ATF Modules for function.

6.0 Technical Data

6.1 SPECIFICATIONS

Quad-60	
Performance Data	
Product Flow ¹	60 SCFH (1.57 Nm ³ /hr or 28 LPM)
Oxygen Delivery Pressure	7 psig (48 kPa or 0.48 barg)
Product Concentration	
	90% +/- 3%
Product Dew Point	
	-100°F (-73°C)
Dimensions (W x D x H) (nominal)	
	24 x 21 x 22 in (61 x 53 x 56 cm)
Weight	
	95 lb (43 kg)
Physical Connections	
Compressed Air Inlet	3/4" ID barb
Product Gas Outlet	1/4" FNPT
Ambient Operating Conditions	
	Locate the oxygen concentrator subsystem in a well-ventilated area that is protected from weather elements and remains between 40°F (4°C) and 110°F (43°C) inside operating enclosure; between -20°F (-29°C) and 170°F (77°C) in storage
	Barometric Pressure Range: 28-31" of Hg
	Ambient Oxygen Concentration: 20% minimum
Feed Air Requirements	
Flow ¹	13 SCFM (22.0 Nm ³ /hr or 370 LPM)
ISO Class Reference	Class 5.6.1 per ISO 8573.1
Pressure	18 psig (124 kPa or 1.24 barg)
Temperature	Oxygen concentration performance rated at 120°F (50°C) inlet air temperature
Required Compressed Air Quality	
	Clean, dry, oil-less compressed air
Control Power Requirements (Single Phase)	
	120 V ~ ±10%, 60 Hz, .4 A
	208 – 240 V ~ ±10%, 60 Hz, .2 A
	220 – 240 V ~ ±10%, 50 Hz, .2 A
Typical Power Consumption	
	48 W (Oxygen monitor output for oxygen concentration and alarms is nine pin D-sub connector)

¹SCF (Standard cubic foot) gas measured at 1 atmosphere and 70°F / Nm³ (Normal cubic meter) gas measured at 1 atmosphere and 0°C / LPM (Liters per minute) gas measured at 1 atmosphere and 21°C. All performance ratings based on an ambient temperature up to 100°F (38°C), up to 1,000 feet elevation, and 80% relative humidity.

Table 6.1: Quad-60 Specifications

6.2 DRAWINGS AND SCHEMATICS

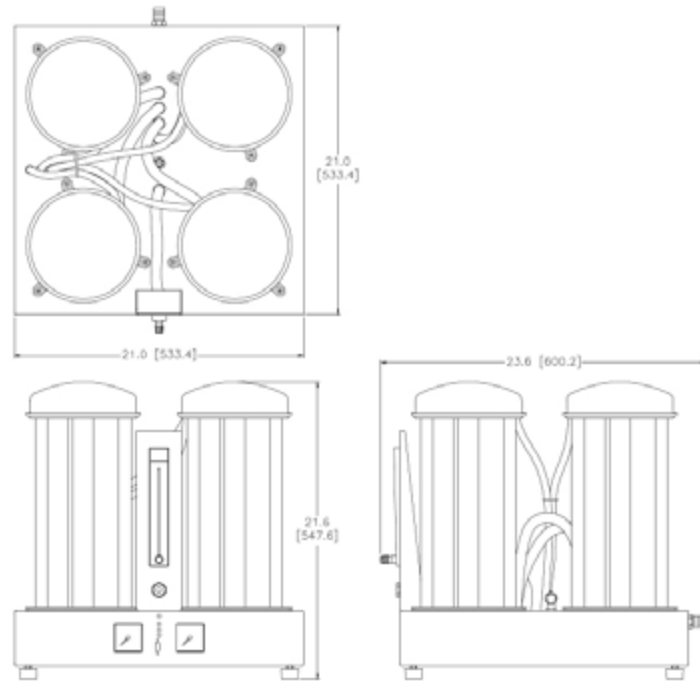


Figure 6.1: Mechanical Outline Drawing - Quad-60

7.0 Service Parts

Service parts listed below can be obtained directly from AirSep. Tubing can generally be obtained locally; specifications are listed below. Always replace tubing with equal or better specifications. Other parts are not considered regular service items. Please contact AirSep directly for further information on other parts.

7.1 SERVICE PARTS

Description	Part Number	Quantity
Model 5060/5062 ATF Modules, 60 Hz	1242-SEQ	4
Model 5064 ATF Modules, 50 Hz	1498-SEQ	4
Air Inlet Solenoid Valve	Call	1
Oxygen Outlet Solenoid Valve	Call	1
Solenoid Coils	Call	2

Table 7.1: Quad Service Parts

7.2 REPLACEMENT TUBING

Tube Size (ID x OD)	Construction	Max. Working Pressure (psig)	Temperature Range (°F)
3/4" x 1"	Braided PVC/Silicone	300	-20 to 200
1/2" x 3/4"	Braided PVC/Silicone	250	-20 to 200
1/4" x 1/2"	Braided EPDM rubber/Silicone	200	-40 to 180

Table 7.2: Quad Replacement Tubing

7.3 TECHNICAL SUPPORT

For assistance in troubleshooting or repairing the unit, or to order replacement parts, contact the AirSep Commercial Products Service Department by telephone. In the USA or Canada, call 1-800-320-0303. Outside the USA or Canada, call (716) 691-0202. Send fax inquiries anytime to (716) 564-2717. Address written inquiries to:

AirSep Corporation

260 Creekside Drive

Buffalo, NY 14228-2075

USA

Attention: Commercial Products Service Department

E-mail: info@airsep.com

Visit www.airsepcpd.com to know about our complete range of standard Oxygen Generators.

AirSep Corporation
260 Creekside Drive
Buffalo, NY 14228-2075 U.S.A.
Tel: (716) 691-0202 ■ Fax: (716) 691-1255
info@airsep.com
www.airsep.com



**CAIRE**[®]

© 2019 AirSep Corporation. All Rights Reserved.
AirSep reserves the right to discontinue its products, or change the prices, materials, equipment, quality, descriptions, specifications and/or processes to its products at any time without prior notice and with no further obligation or consequence. Any rights expressly stated herein are reserved by us, as applicable.

AIRSEP[®]

3074-SEQ D