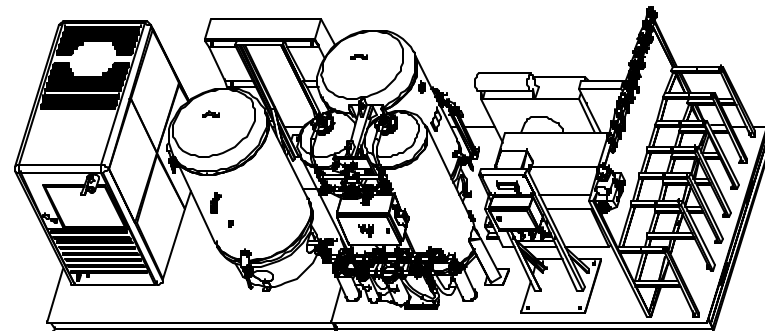
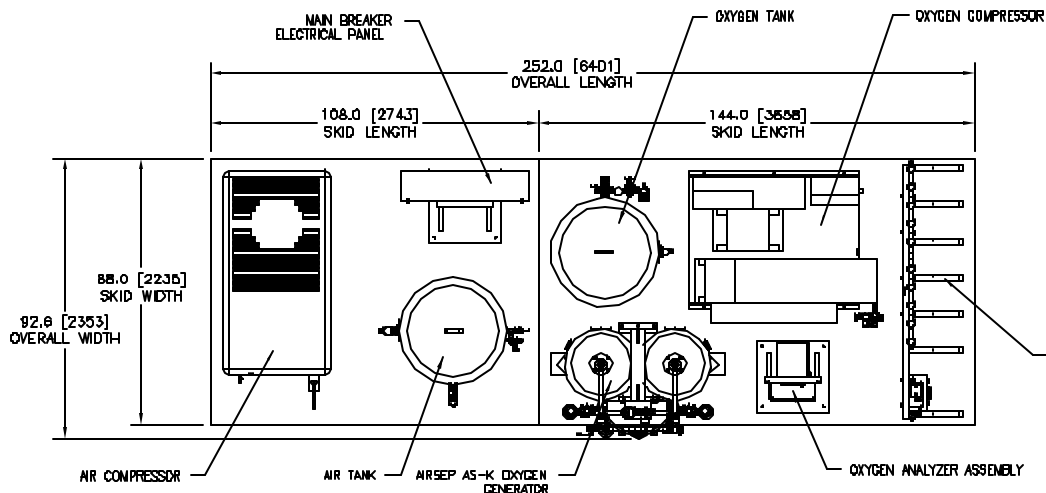
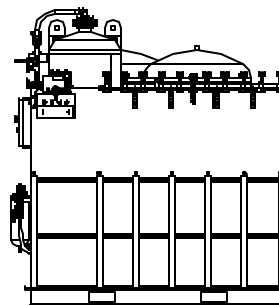
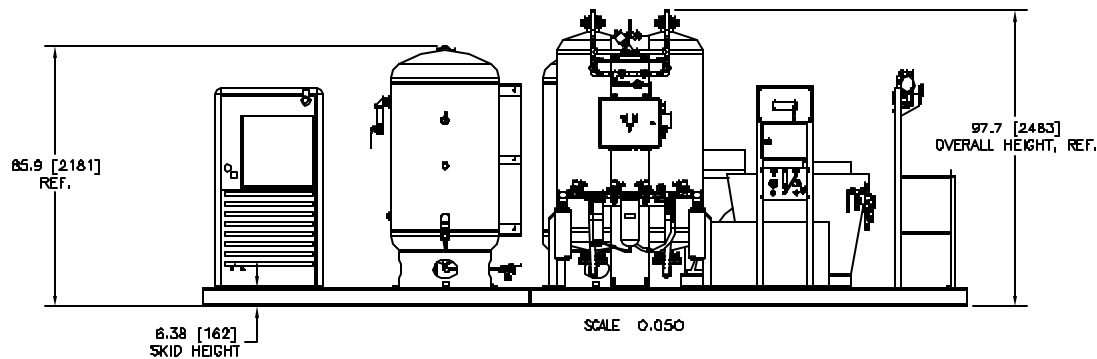


NOTES:

- 1.) DIMENSIONS SHOWN ARE IN INCHES [MILLIMETERS].
- 2.) DRAWING SHOWS MAIN COMPONENTS ONLY. DRAWING TO BE USED TO SHOW SYSTEM LAYOUT ONLY.
- 3.) TOTAL WEIGHT OF SYSTEM WILL VARY BASED ON CUSTOMER'S SITE CONDITIONS AND COMPONENT SPECIFICATIONS. TOTAL WEIGHT OF SYSTEM MAY VARY ANYWHERE BETWEEN 12,500 - 12,900 LBS. [5,670 - 5,861 Kg]



SCALE 0.04-7



DRAWING SUBJECT TO CHANGE WITHOUT NOTICE

REV	REVISION	ECN #	BY	DATE	APP'D

APPROVAL	DATE	DESIGNED	DATE	
				ASK850-BEONCR40 CYLINDER FILLING TYPICAL PLANT LAYOUT
				W/A ASK850-BEONCR 1.000 SHEET 1 OF 1