

Figure 1: FreeStyle Main View

Item Number	Description	Quantity	Bubble Seq No
CA229-1	Handle	1	1
CA228-1	Control Panel Cover	1	2
CP141-1	Membrane Panel w/ Ribbon Cable	1	3
SC110-1	Front/Rear Cover Screws	7	4
CA227-1	Rear Cover	1	5
CA241-1	Front Cover	1	6
FI144-1	Inlet Filter	1	7
CA230-1	Inlet Cover	1	8
SN059-1	Mesh Compressor Screen	1	9

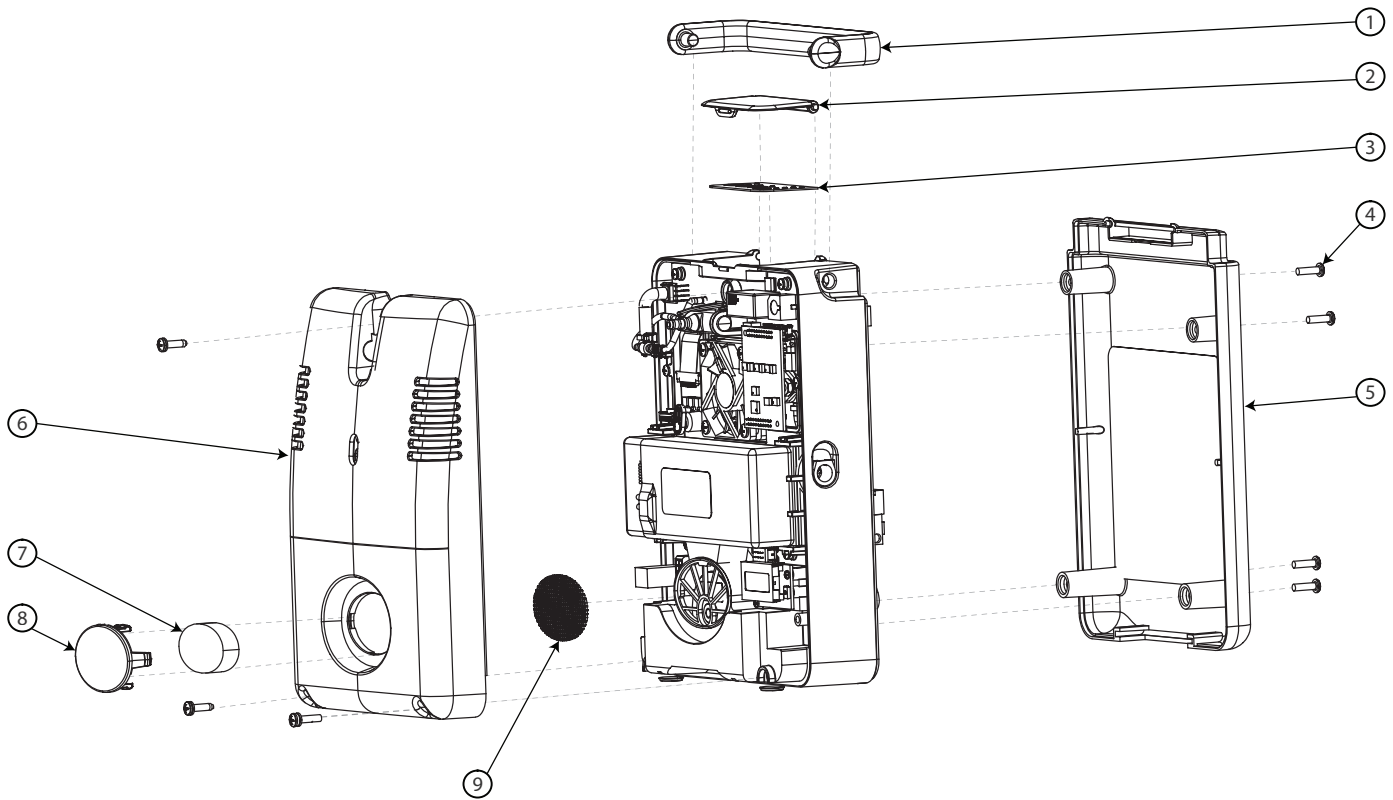


Figure 1: FreeStyle Main View

Figure 2: FreeStyle Front View

Item Number	Description	Quantity	Bubble Seq No
FO139-1	Compressor Wiring Foam Spacer	1	1
BT018-1S	FreeStyle Li-ion Battery Pack	1	2
OR029-1	Silicone O-Ring (Attached to Oxygen Outlet Port)	1	3
F0589-1	Oxygen Outlet Port	1	4
SC100-2	Cross-Head Screw #8/32", 1/4"LG (Behind Oxygen Outlet Port)	1	5
TW011-1	Tie-Wrap	2	6

Note: Shell assembly can be ordered using PN: S0259-1.

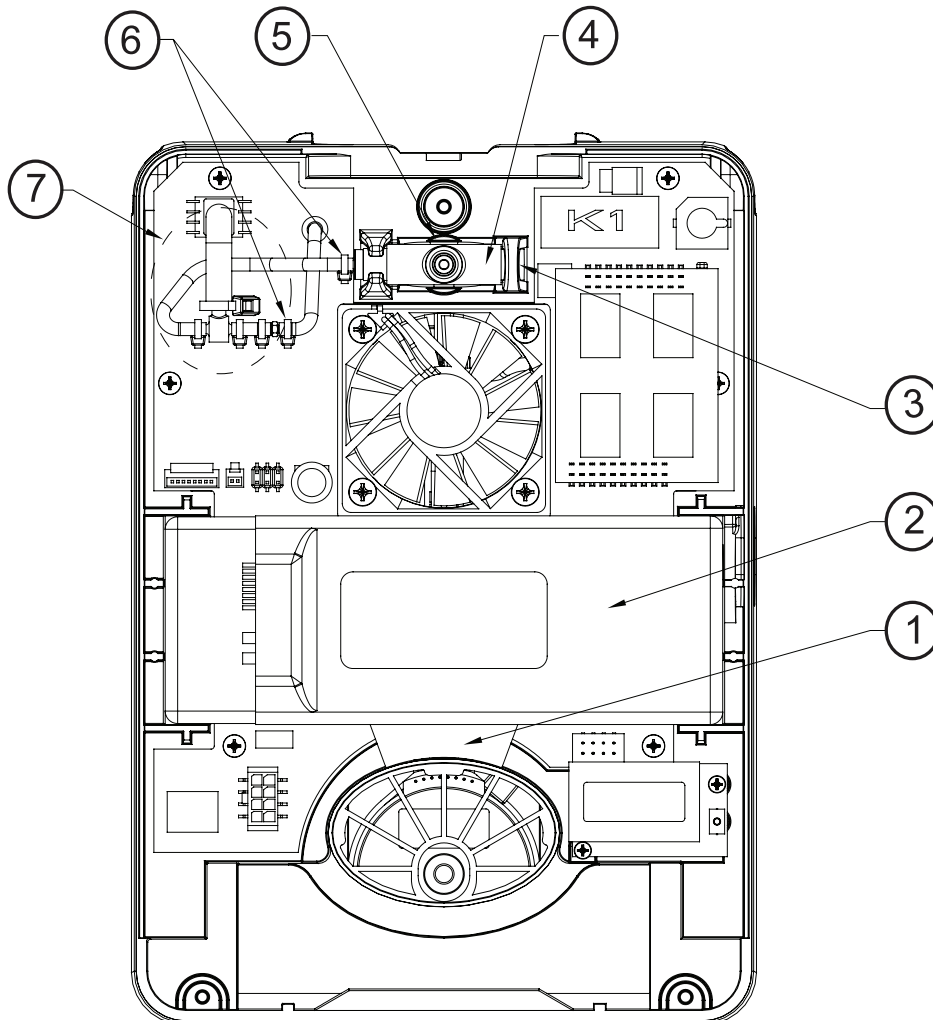


Figure 2: FreeStyle Front View

Figure 3: FreeStyle Internal Exploded View

Item Number	Description	Quantity	Bubble Seq No
SC037-3	Self Tapping Cross-Head Screw #4-20, 1/4"LG, Main Circuit Board	6	1
CB094-1S	Main Circuit Board Assembly w/ OCD Sensor Tubing Assembly, Service Part Assembly	1	2
CB094-1R	Main Circuit Board Assembly w/ OCD Sensor Tubing Assembly, Rebuilt Assembly	1	2
SC109-1	Cross-Head Screw #6-32, 5/8"LG, Cooling Fan	4	3
FN029-1S	Cooling Fan	1	4
CP141-1	Membrane Panel w/ Ribbon Cable	1	5
GS015-1	Gasket Nozzle	1	6
NU003-1	#6-32 Hex Nut, Cooling Fan	4	7
CN089-1	Power Receptacle Connector	1	8
WH101-1S	Power Input Harness	1	9
CA226-1	Center Cabinet Housing	1	10
FA034-1	Black Velcro Fastener Hooks	2	11
HM013-1	Hour Meter	1	12
SC108-1	Self Tapping Cross-Head Screw #2-28, 5/16"LG, Hourmeter	2	13
CB095-1	Motor Control Circuit Board	1	14

