

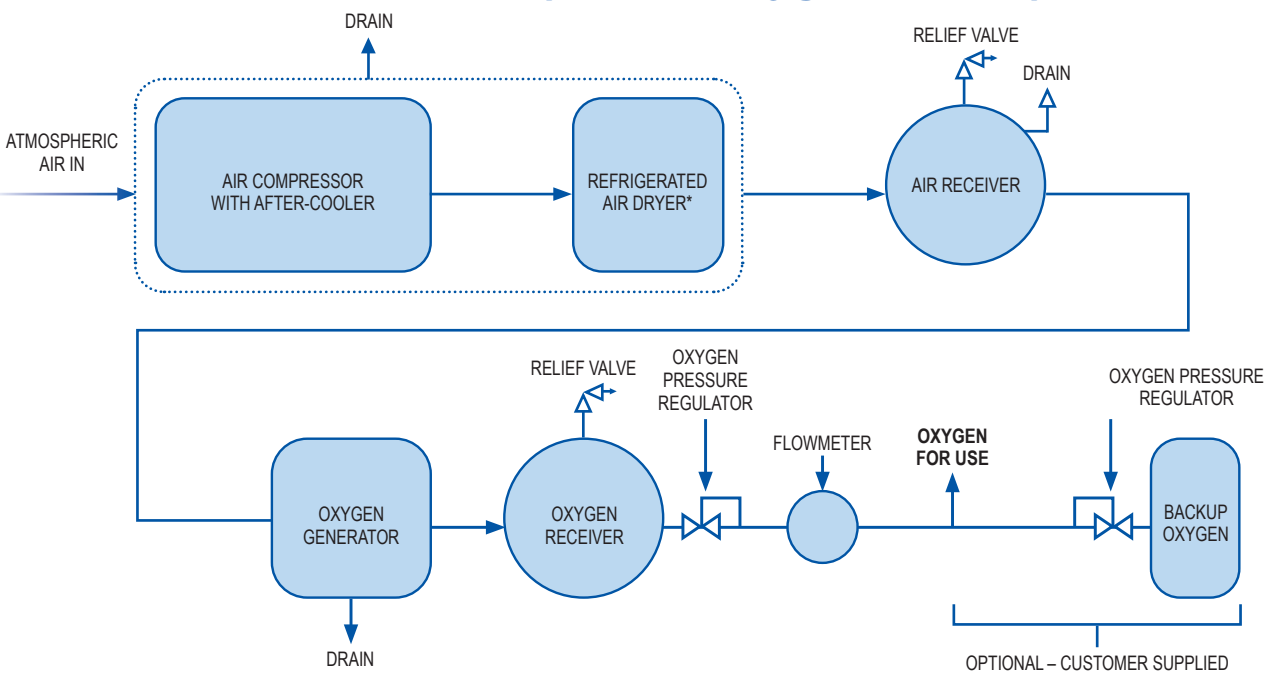
PSA Oxygen Generator

Typical Layout

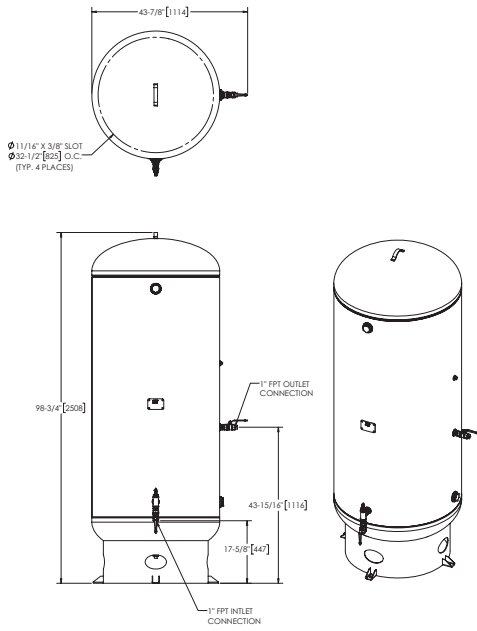


AirSep excels as the worldwide leading supplier of PSA oxygen systems providing the most cost-effective, most efficient, and safety-focused oxygen sources for today's diverse oxygen applications. AirSep can package any of the market leading Alpha-Series Standard Generators with a multitude of options and accessories to provide a turnkey solution for just about any need for oxygen. AirSep also offers pre-configured Packaged Systems designed to match the most common applications.

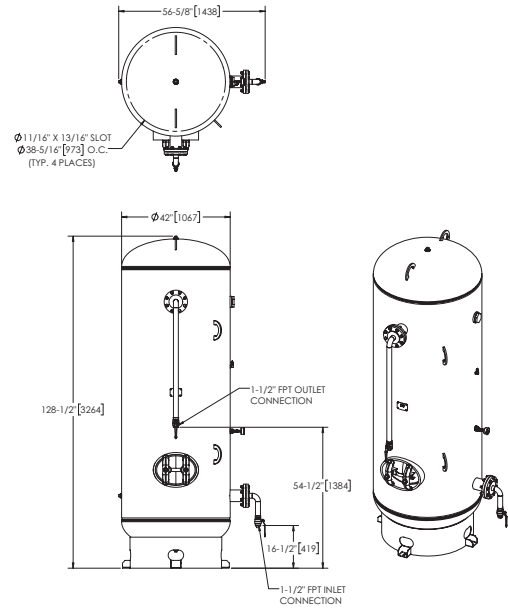
Model AS-N — AS-Z Standard Generator Typical Layout with Optional Oxygen Backup



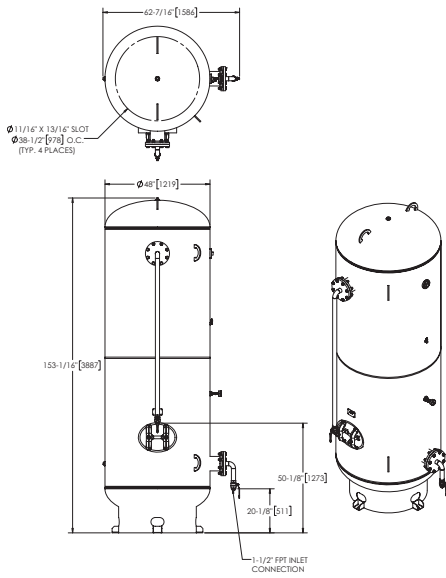
*This component may or may not be required depending on the ambient site conditions. Contact Factory for air compressor equipment selection assistance.



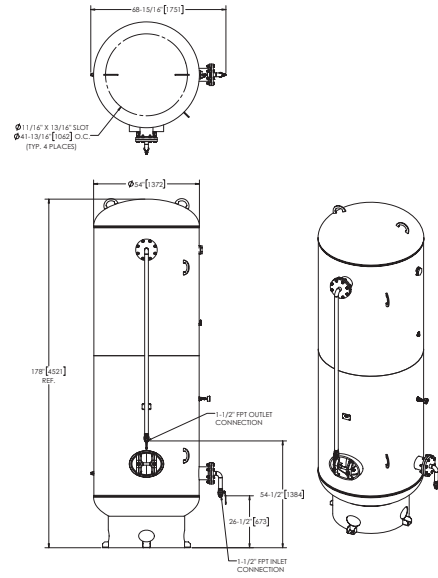
Model AS-N Generator 400 Gallon Oxygen Receiver



Model AS-P and AS-Q Generator 660 Gallon Oxygen Receiver



Model AS-R Generator 1,060 Gallon Oxygen Receiver



Model AS-W and AS-Z Generator 1,550 Gallon Oxygen Receiver

Note: All dimensions are nominal.



© 2022 AirSep Corporation. All Rights Reserved.
 AirSep reserves the right to discontinue its products, or change the prices, materials, equipment, quality, descriptions, specifications and/or processes to its products at any time without prior notice and with no further obligation or consequence. Any rights expressly stated herein are reserved by us, as applicable.



260 Creekside Drive
 Buffalo, NY 14228-2075 U.S.A.
 Tel: (716) 691-0202 ■ Fax: (716) 691-1255
 www.airsep.com ■ info@airsep.com
 ML-IND0055 A