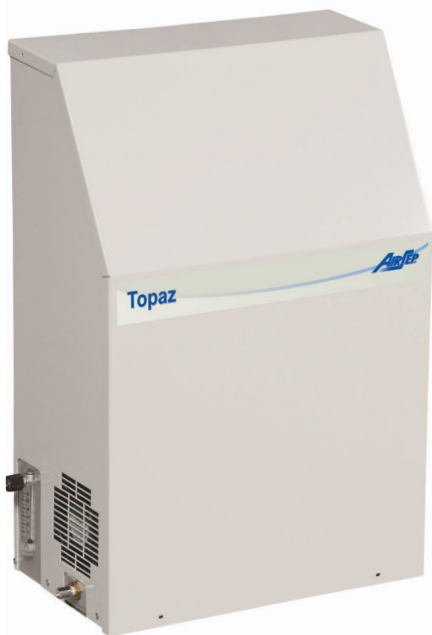


Topaz Series



Specifically designed for reliability, energy efficiency, and ease-of-use, there are thousands of Topaz PSA Oxygen Generators currently in use throughout the world. The Topaz's ability to deliver up to 95% oxygen concentration make it a great fit for a wide range of commercial applications.

Features

- Self-contained (internal air compressor)
- Heavy duty metal enclosure
- Wall or rack-mount design
- Advanced Engineering
- Ozone resistant/high temperature process tubing
- Quick release fittings for ease of maintenance
- Optional oxygen concentration monitor

Typical Applications

Manufacturing

- Jewelry/Brazing/Soldering
- Thermal/Chemical Oxidation
- Glass Work/Blowing

Environmental

- Ozone (Generator) Feed Gas
- Environmental Remediation
- Waste/Water Treatment

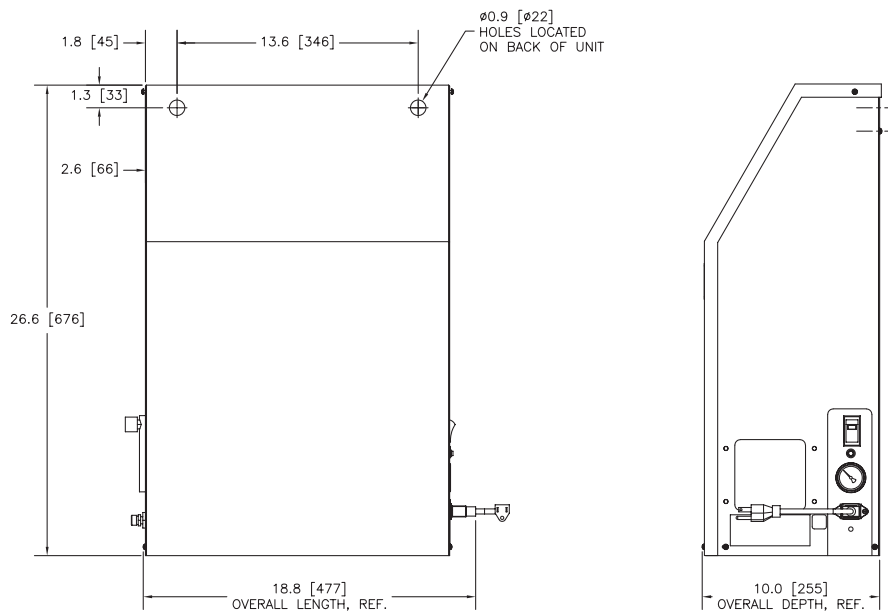
Additional

- Fish Farming
- Aquaponics
- Hydroponics

Specifications

	Topaz	Topaz Ultra
Product Flow ¹	12 SCFH (0.31 Nm ³ /hr or 6 LPM)	21 SCFH (0.55 Nm ³ /hr or 10 LPM)
Product Pressure	9 psig (62 kPa or 0.62 barg)	20 psig (138 kPa or 1.37 barg)
Product Concentration	Up to 95%	Up to 95%
Product Dew Point	-100°F (-73°C)	-100°F (-73°C)
Dimensions (W x D x H) (Nominal)	19 x 10 x 27 in (48 x 25 x 68 cm)	19 x 10 x 27 in (48 x 25 x 68 cm)
Weight	53 lb (24 kg) [Add 2 lb (0.9 kg) for 220 V ~ unit] [Add 20 lb (9 kg) for Stainless]	58 lb (26 kg) [Add 4 lb (0.9 kg) for 220 V ~ unit] [Add 20 lb (9 kg) for Stainless]
Physical Connection Product Gas Outlet	¼" NPT-M/B-M size oxygen adapter	¼" NPT-M/B-M size oxygen adapter
Ambient Operating Conditions	Locate the oxygen generator in a well-ventilated area that is protected from weather elements and remains between 40°F (4°C) and 112°F (44°C)	
Control Power Requirements (Single Phase)	120V ~ ±10%, 60 Hz, 5.0 A 220V ~ ±10%, 50 Hz, 2.5 A 220V ~ ±10%, 60 Hz, 2.3 A	120V ~ ±10%, 60 Hz, 6.0 A 220V ~ ±10%, 50 Hz, 3.0 A
NRTL Certifications and Approvals	CAN/CSA-C22.2 No. 61010-1-12, UL 61010-1 (2nd Edition) (120 V configurations only)	

¹ SCF (Standard cubic foot) gas measured at 1 atmosphere and 70°F / Nm³ (Normal cubic meter) gas measured at 1 atmosphere and 0°C / LPM (Liters per minute) gas measured at 1 atmosphere and 21°C



Note: All dimensions are nominal.

Ordering Information

Model	Part Number	Description
Topaz	AS013-105	120 V ~ ±10%, 60 Hz, with painted aluminum enclosure
	AS013-106	220 V ~ ±10%, 50 Hz, with painted aluminum enclosure
	AS013-107	220 V ~ ±10%, 60 Hz, with painted aluminum enclosure
	AS013-115	120 V ~ ±10%, 60 Hz, with stainless steel enclosure
	AS013-120	220 V ~ ±10%, 50 Hz, with stainless steel enclosure
	AS013-124	120 V ~ ±10%, 60 Hz, with painted aluminum enclosure & oxygen concentration monitor (LED indicator)
	AS013-125	220 V ~ ±10%, 50 Hz, with painted aluminum enclosure & oxygen concentration monitor (LED indicator)
Topaz Ultra	AS123-2	220 V ~ ±10%, 50 Hz, with painted aluminum enclosure
	AS123-3	220 V ~ ±10%, 50 Hz, with stainless steel enclosure
	AS123-7	120 V ~ ±10%, 60 Hz, with painted aluminum enclosure
	AS123-8	120 V ~ ±10%, 60 Hz, with painted aluminum enclosure & oxygen concentration monitor (LED indicator)
	AS123-9	120 V ~ ±10%, 60 Hz, with stainless steel enclosure
	AS123-10	120 V ~ ±10%, 60 Hz, with stainless steel enclosure & oxygen concentration monitor (LED indicator)
Optional Accessories	AN021-1	Oxygen Analyzer (Maxtec Handi)
	AN005-1	Oxygen Analyzer (Maxtec Max O ₂ Plus)
	AN075-1	Oxygen Analyzer/Sensor (Maxtec Max O ₂ Plus)

Shipping Information	Topaz	Topaz Ultra
Class	92.5	92.5
Commodity Classification Number	8421.39.8040	8421.39.8040
Dimensions (W x D x H)	21 x 12 x 29 in (53 x 31 x 74 cm)	21 x 12 x 29 in (53 x 31 x 74 cm)
Gross Weight	61 lb (28 kg) [Add 4 lb (1.8 kg) for 220 V ~unit] [Add 20 lb (9 kg) for Stainless]	66 lb (30 kg) [Add 4 lb (1.8 kg) for 220 V ~unit] [Add 20 lb (9 kg) for Stainless]

Warranty: 1 Year Parts and Factory Labor*

* An unprotected or inadequately ventilated environment, or improper control power may cause damage to the oxygen generator not covered under warranty.

All performance ratings based on an ambient temperature up to 100°F (38°C), up to 1,000 feet elevation, and 80% relative humidity.



CAIRE®

© 2019 AirSep Corporation. All Rights Reserved.
AirSep reserves the right to discontinue its products, or change the prices, materials, equipment, quality, descriptions, specifications and/or processes to its products at any time without prior notice and with no further obligation or consequence. Any rights expressly stated herein are reserved by us, as applicable.

AIRSEP®

260 Creekside Drive
Buffalo, NY 14228-2075 U.S.A.
Tel: (716) 691-0202 ■ Fax: (716) 691-1255
www.airsepcpd.com ■ info@airsep.com
ML-IND0001 F