

Figure 1: Configurable Parts

Item Number	Description	Quantity	Bubble Seq No
067939	Handle	1	1
B-701594-00	Strap, Contents Indicator	1	2
B-701599-00	Screw #6-19 X 3/4 Long	2	3
067941	Handle, Pull, Contents Indicator	1	4
067940	Pad, Non-Stick	1	5
B-775028-00	Hitch Pin	1	6
** See Note	Back Label, Domestic/International	1	7
B-701598-00	Screw #6-19 X 1/2 Long	9	8
067943	Indicator Plate	1	9
067942	Spring, Contents Indicator	2	10
067937	Cover, Back	1	11
B-702007-00	Hose Barb, Plastic	2	12
B-701597-00	C-Clip	2	13
* B-701586-00	Quick-Connect, Umbilical * (includes Securing Nut)	1	14
* 10002647	Blank Plug *	1	14
* Reference	Nut, Quick Connect * (included in B-701586-00)	1	15
* 10002648	Nut, Blank Plug *	1	15
067938	Cover, Front	1	16
067936	Knob Assembly	1	17
20675860-SV	Valve 4:1 Conserver Assembly	1	18
20553105	Female QDV Assembly	1	19
B-775260-00	QDV Lip Seal	1	
15081333	Vent Tube	1	20
10000664-SV	Service Bottle	1	21

*Units manufactured after January 2014 have a blank plug in place of the CPC connector. These models will need Blank Plug 10002647. For units manufactured with the CPC connector, replacement CPC Quick-Connect B-701586-00 can be ordered. To inquire about upgrading from a non-CPC model to a unit with CPC fitting, contact CAIRE Technical Service.

** Note: Reference Service Bulletin 21174579

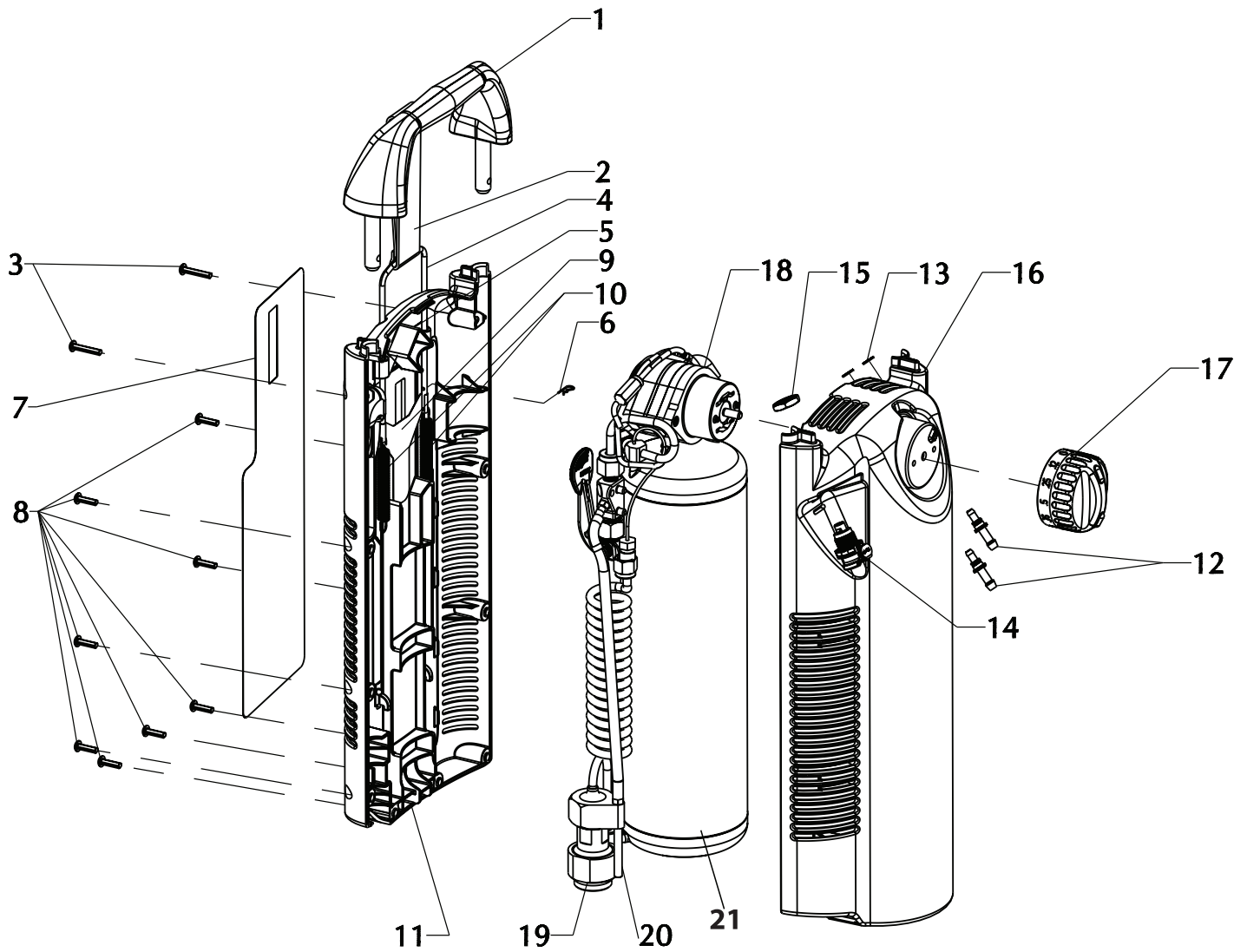


Figure 1: Configurable Parts

Figure 2: Conserver

Item Number	Description	Quantity	Bubble Seq No
20675860-SV	Valve 4:1 Conserver Assembly (includes items 21-24)	1	20
6-777736-00	Filter Screen	1	21
B-778167-00	Barbed Hose Fitting, 1/16 inch	2	22
B-778157-00	Barbed Hose Fitting, 1/8 inch	1	23
B-701685-00	Barbed Nylon Elbow, 1/8 inch	1	24
B-701585-SV	Tube, Silicon, 1/8 ID X 2.88 inches	2	25
B-701975-00	Spring, Hose Support	2	26
B-701584-SV	Urethane Tube, 1/16 ID X 7.5 inches	1	27
B-701582-SV	Urethane Tube, 1/16 ID X 2.0 inches	1	28
B-701587-00	Check Valve	1	29
B-701583-SV	Urethane Tube, 1/16 ID X 3.0 inches	2	30
B-701526-00	T-Connector	1	31

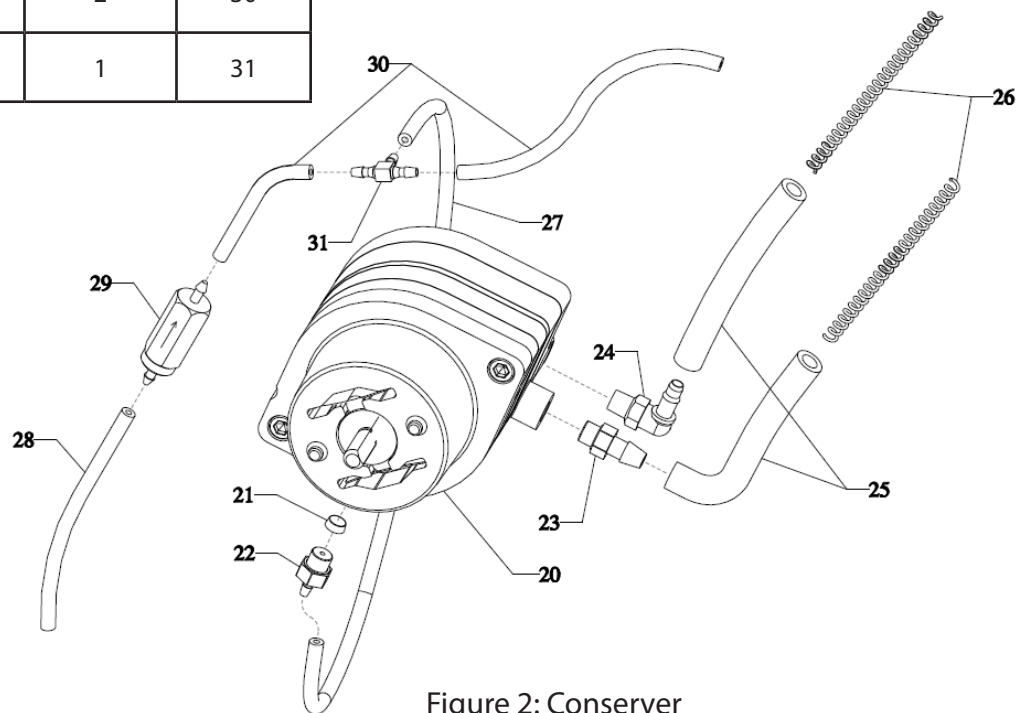


Figure 2: Conserver

Figure 3: Relief Valve & Heat Exchanger

Item Number	Description	Quantity	Bubble Seq No
B-702075-00	Secondary Relief Valve	1	32
067958-LAN	Relief/Economizer Valve	1	33
B-775068-00	Ferrule, Brass, 3/16 Tube	2	34
B-775067-00	Nut, 3/16 Tube	2	35
B-701590-00	Ferrule, Brass, 1/8 Tube	2	36
B-701589-00	Nut, 1/8 Tube	2	37
069274-SV	Wrap, Helical Insulator	2	38
14961937-SV	Heat Exchanger Coil, Liquid (Includes nuts and ferrules)	1	39
10028934-SV	Heat Exchanger Coil, Gas	1	40

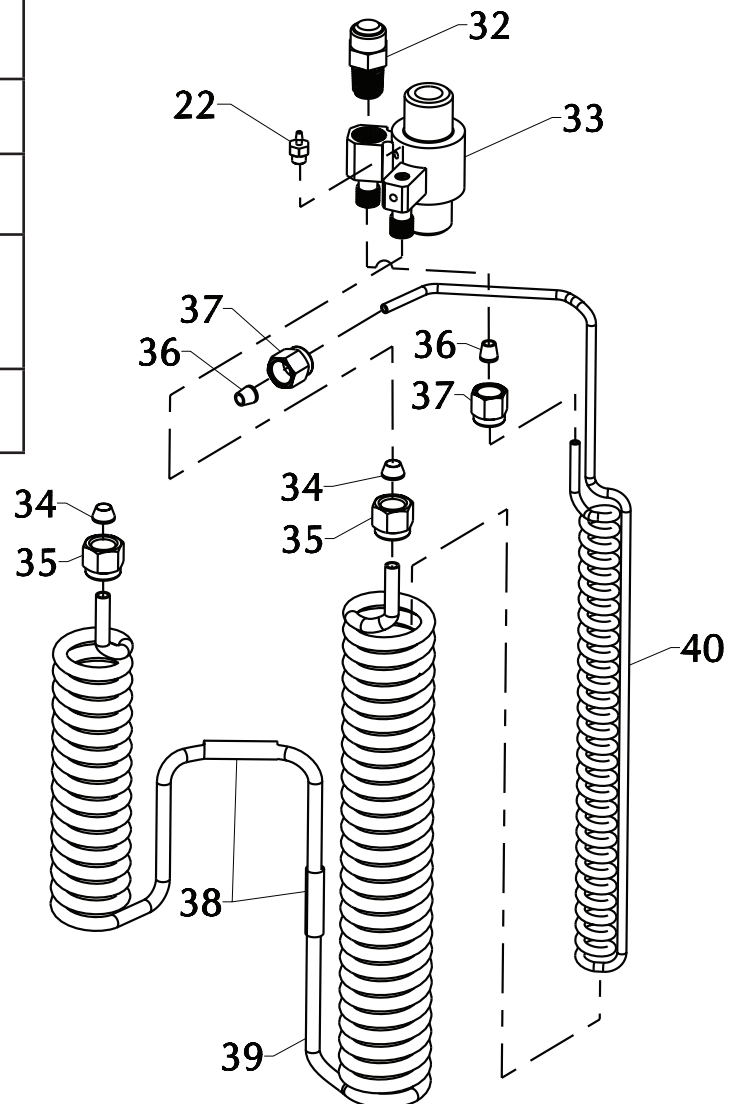


Figure 3: Relief Valve & Heat Exchanger

Figure 4: Vent Valve Assembly

Item Number	Description	Quantity	Bubble Seq No
10029030-SV	Vent Valve Assembly (Includes Items 42-45)	1	41
B-701335-SV	Teflon Washer	1	42
B-775089-00	Spring Pin	1	43
B-701971-00	Lever, Vent Valve	1	44
067956	Torsion Spring	1	45
10020642-SV	Tube Urethane 0.125"ID x 8.13" Long	1	46

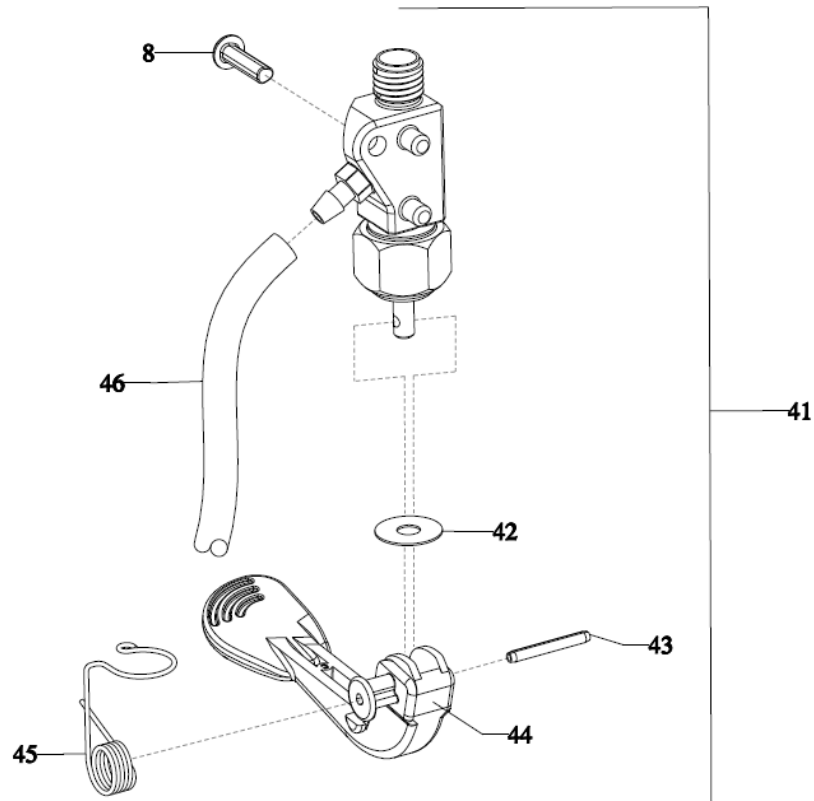


Figure 4: Vent Valve Assembly

Parts List

Copyright © 2021 CAIRE Inc. reserves the right to discontinue its products, or change the prices, materials, equipment, quality, descriptions, specifications and/or processes to its products at any time without prior notice and with no further obligation or consequence. All rights not expressly stated herein are reserved by us, as applicable.