

Figure 4: Compressor Assembly

VisionAire 2 Item Number	VisionAire 3 Item Number	VisionAire 5 (1 LED) Item Number	VisionAire 5 (3 LED) Item Number	Description	Qty	Bubble Seq #
N/A	N/A	CO439-1	N/A	COMPRESSOR, 115V 60Hz, 36 STROKE	1	1
N/A	N/A	CO439-2	CO439-2	COMPRESSOR, 230V 50Hz, 44 STROKE	1	1
N/A	N/A	CO439-3	N/A	COMPRESSOR, 230V 60Hz, 36 STROKE	1	1
CO439-6	CO439-6	N/A	N/A	COMPRESSOR, 115V 60Hz, 26 STROKE	1	1
CO439-5	CO439-5	N/A	N/A	COMPRESSOR, 230V 50Hz, 26 STROKE	1	1
F0644-1	F0644-1	F0644-1	F0644-1	FITTING, BRASS, ELBOW	1	2
VA554-1	VA554-1	VA554-1	VA554-1	VALVE, RELIEF, 40 PSI	1	3
OR032-1	OR032-1	OR032-1	OR032-1	O-RING	2	4
CO432-2	CO432-2	CO432-2	CO432-2	FILTER, COMPRESSOR END CAP, EXTERIOR	2	6
SC137-1	SC137-1	SC137-1	SC137-1	SCREW, END CAP	6	7
CL035-1	CL035-1	CL035-1	4323-SEQ	CLAMP, WIRE	1	8
SC133-1	SC133-1	SC133-1	SC133-1	SCREW, COMPRESSOR	4	9
MO026-1	MO026-1	MO026-1	MO026-1	MOUNT, RUBBER SPRING	4	10
SP021-1	SP021-1	SP021-1	SP021-1	SPRING	4	11
WA065-1	WA065-1	WA065-1	WA065-1	WASHER, SPRING MOUNT	4	12
SC139-1	SC139-1	SC139-1	SC139-1	SCREW, SPRING MOUNT	4	13

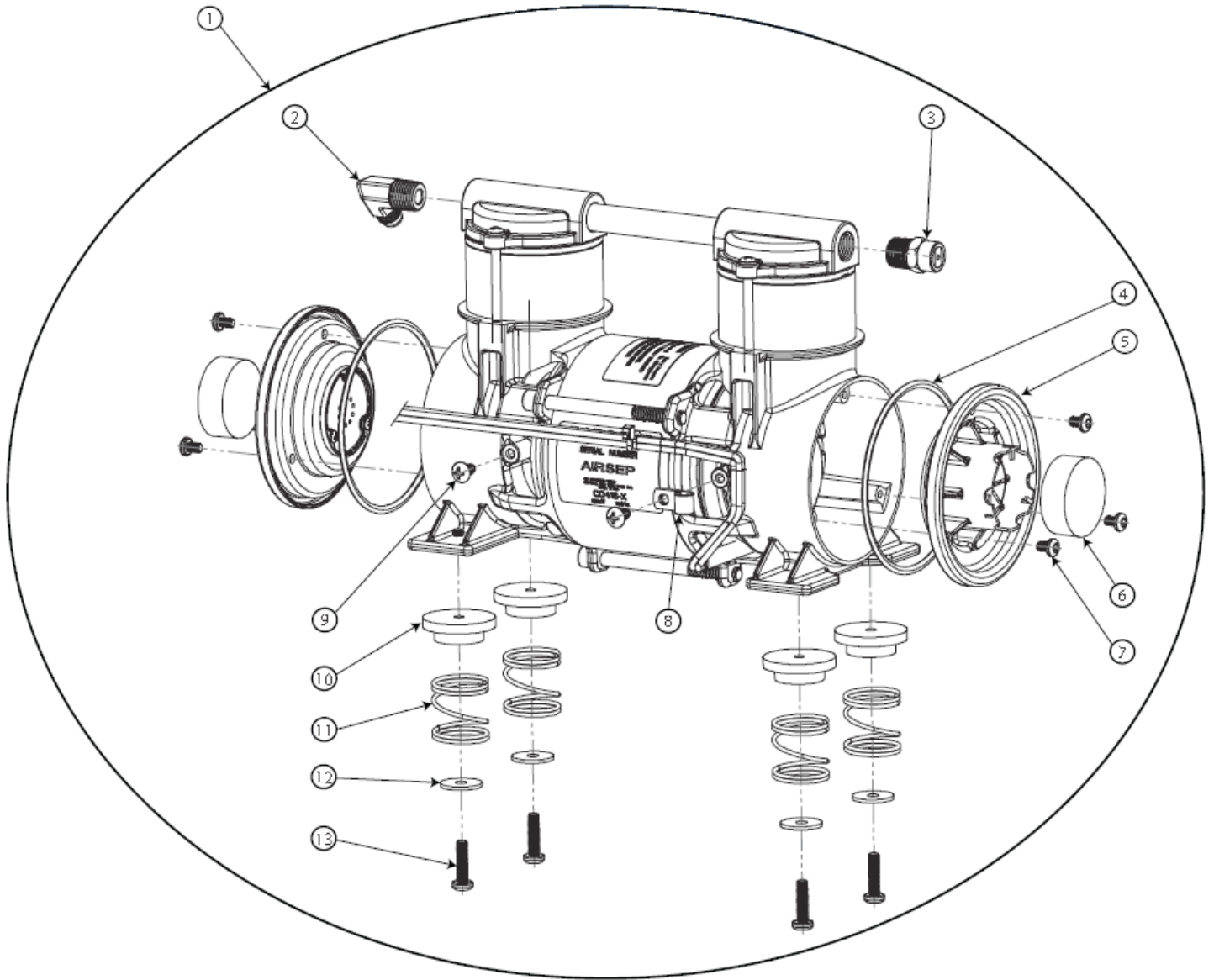


Figure 4: Compressor Assembly

Figure 5: Valve Manifold Assembly

VisionAire 2 Item Number	VisionAire 3 Item Number	VisionAire 5 (1 LED) Item Number	VisionAire 5 (3 LED) Item Number	Description	Qty	Bubble Seq #
VA536-1	VA536-1	VA536-1	VA536-1	MANIFOLD ASSY (<i>Includes Bubble # 17 and Hose Barbs Only – See Picture</i>)	1	1
TU168-2	TU168-2	TU168-2	TU168-2	FORMED TUBING (<i>Connects Sieve Bed to Manifold</i>)	2	2
F0134-1	F0134-1	F0134-1	F0134-1	FITTING, COMPRESSION, 5/16"	4	3
OR022-1	OR022-1	OR022-1	OR022-1	O-RING, MOUNTING BOLT	1	4
HA064-1	HA064-1	HA064-1	HA064-1	HARDWARE, COIL, E-CLIP	5	5
VA374-4	VA374-4	VA374-4	VA374-4	VALVE, COIL, FEED/WASTE	4	6
VA374-6	VA374-6	VA374-6	VA374-6	VALVE, COIL, EQ	1	6
F0517-1	F0517-1	F0517-1	F0517-1	FITTING, BRASS, EQ	2	7
FO148-1	FO148-1	FO148-1	FO148-1	FOAM, EXHAUST, FITTING	1	8
TW001-4	TW001-4	TW001-4	TW001-4	TIE WRAP, 4" LONG	1	9
TU180-064	TU180-064	TU180-064	TU056-1	TUBING, EXHAUST	1	10
F0645-1	F0645-1	F0645-1	F0645-1	FITTING, SWIVEL HOSE BARB	1	11
TU165-1	TU165-1	TU165-1	TU165-1	TUBING, BRAIDED SILICONE	1	12
TW016-1	TW016-1	TW016-1	TW016-1	TIE WRAP, 4.88" LONG	2	13
FO147-1	FO147-1	FO147-1	FO147-1	FOAM, FEED, FITTING	1	14
F0037-4	F0037-4	F0037-4	F0037-4	FITTING, BRASS, MULTIBARB, FEED/WASTE	2	15
SC118-1	SC118-1	SC118-1	SC118-1	SCREW, MOUNTING BOLT	1	16
MA198-1	MA198-1	MA198-1	MA198-1	MANIFOLD, VALVE BLOCK	1	17
F0494-1	F0494-1	F0494-1	F0494-1	FITTING, BRASS	2	18
TW011-2	TW011-2	TW011-2	TW011-2	TIE WRAP, 2.83" LONG	4	19
TU152-070	TU152-070	TU152-070	TU055-1	TUBING, PRESSURE PORT	2	20

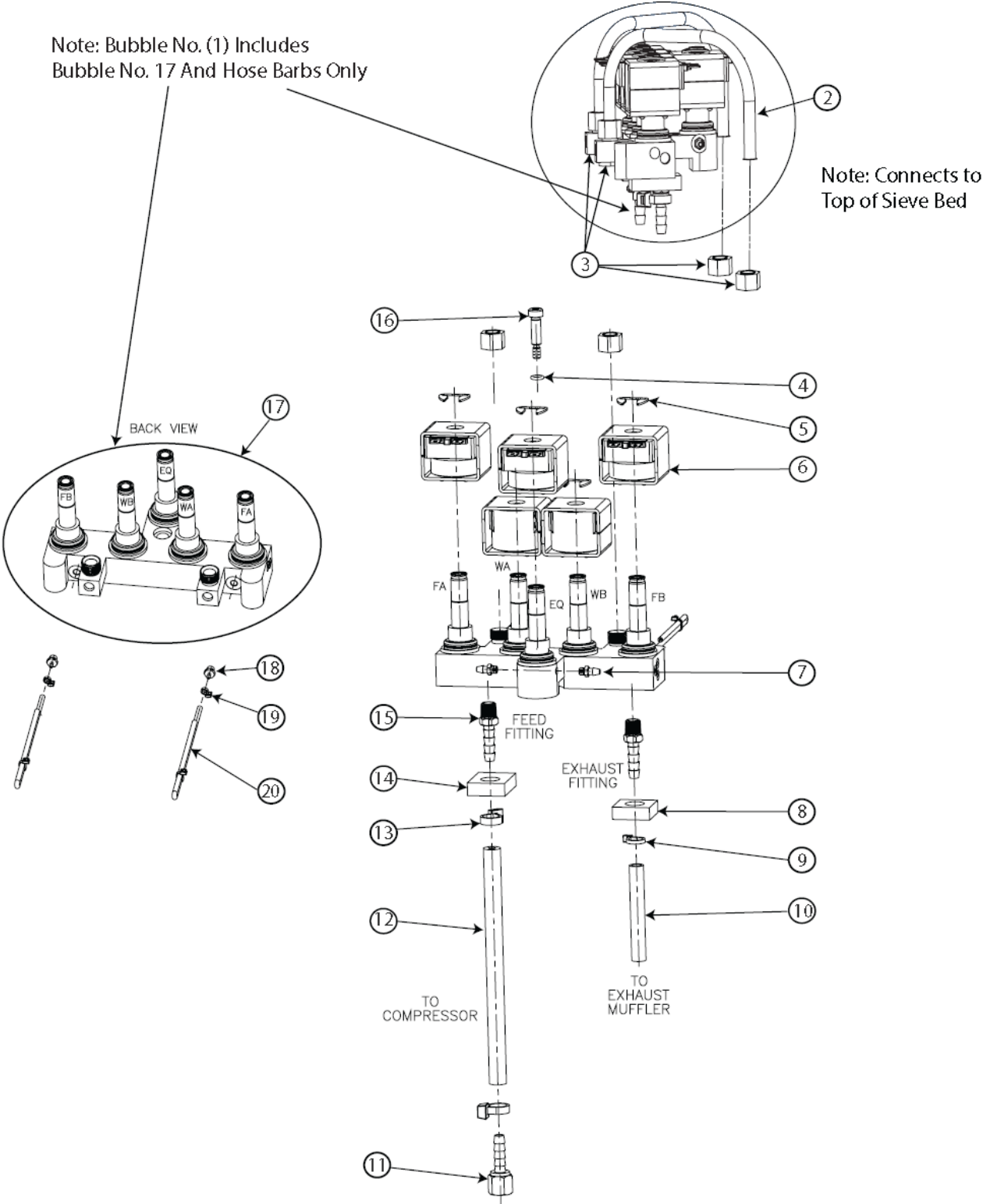


Figure 5: Valve Manifold Assembly

Figure 6: Circuit Board Wiring Schematic

VisionAire 2 Item Number	VisionAire 3 Item Number	VisionAire 5 (1 LED) Item Number	VisionAire 5 (3 LED) Item Number	Description	Qty	Bubble Seq #
WH129-2	WH129-2	WH129-1	WH129-1	WIRE HARNESS, POWER SWITCH/FAN/PCB/HOUR METER	1	1
WH120-1	WH120-1	WH120-1	WH146-1	WIRE HARNESS, POWER SWITCH	1	2
WH106-1	WH106-1	WH106-1	WH145-1	WIRE HARNESS, O2 LED (<i>If Equipped</i>)	1	3
WH107-1	WH107-1	WH107-1	WH107-1	WIRE HARNESS, O2 MONITOR (<i>If Equipped</i>)	1	4
WH109-1	WH109-1	N/A	N/A	WIRE HARNESS, TEMPERATURE PROBE	1	5
WH105-1	WH105-1	WH105-1	WH105-1	WIRE HARNESS, VALVES	1	6
WH108-1	WH108-1	WH108-1	WH108-1	WIRE HARNESS, JUMPER	2	N/A
CD011-13S	CD011-13S	CD011-13S	N/A	AC POWER CORD, 115V W/O FERRITE RING (<i>North American Plug</i>)	1	7
CD011-14S	CD011-14S	CD011-14S	CD011-14S	AC POWER CORD, 220V W/O FERRITE RING (<i>European Plug</i>)	1	7

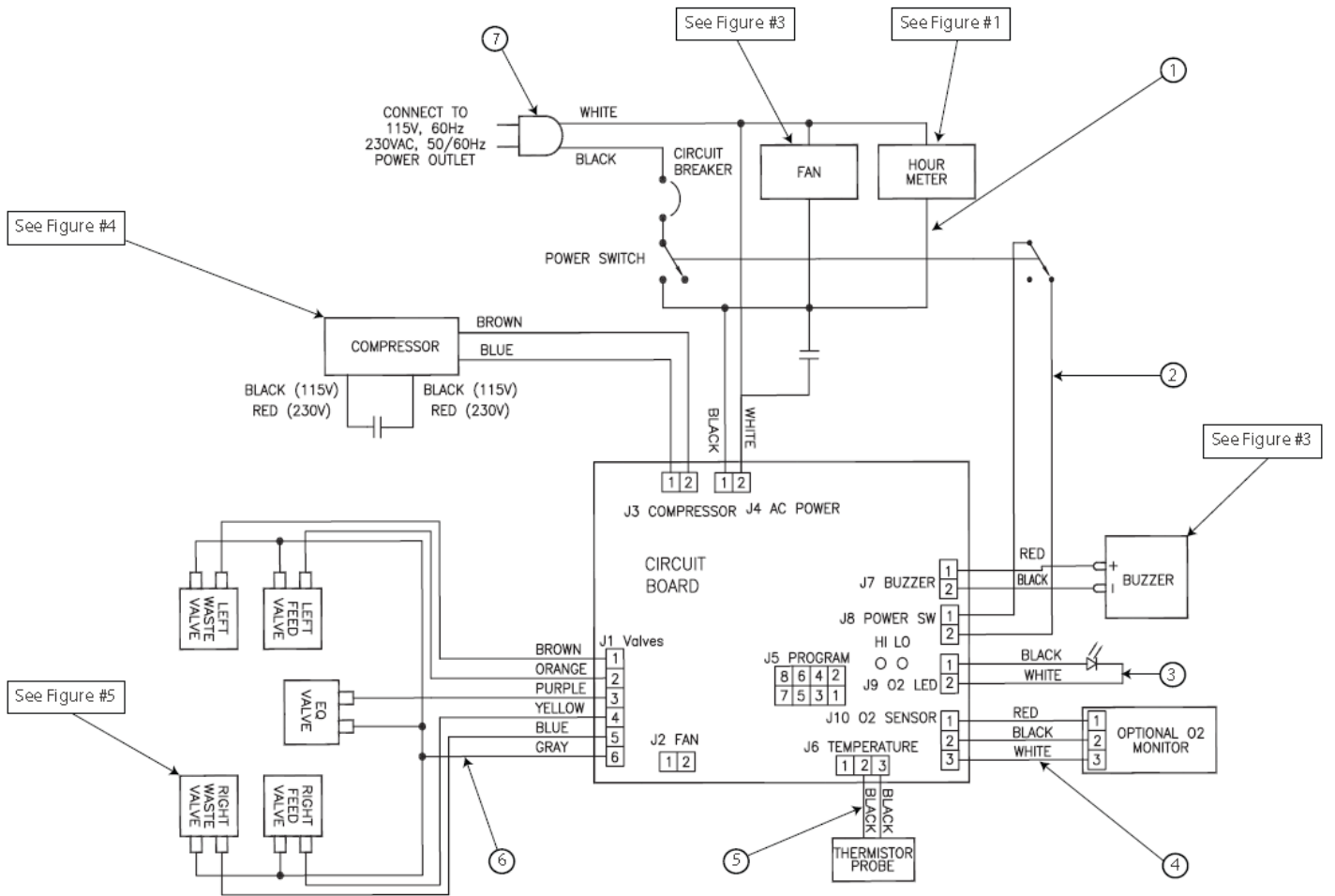


Figure 6: Circuit Board Wiring Schematic