

Figure 1: NewLife Main View

NewLife Elite (1 LED)	NewLife Elite (3 LED)	NewLife Intensity 8 (1 LED)	NewLife Intensity 10 (1 LED)	NewLife Intensity 10 (3 LED)	Description	QTY	Seq No
CA036-14	CA036-14	CA036-14	CA036-14	CA036-14	CABINET,ASSY,SIDE PANEL,SPARE,DK GRY*	2	1
See Pages 4 & 5	See Pages 4 & 5	See Pages 4 & 5	See Pages 4 & 5	See Pages 4 & 5	FRONT PANEL ASSY	1	2
SC003-3	SC003-3	SC003-3	SC003-3	SC003-3	SCREW, FRONT CASE TO FRAME	1	3
CA034-11	CA002-11	CA034-11	CA034-11	CA002-11	CABINET ASSY,BACK PANEL,DARK GRAY	1	4
LA011-1	LA209-1	LA011-1	LA011-1	LA209-1	LABEL, BACK	1	5
FI002-1	FI002-1	FI002-1	FI002-1	FI002-1	FILTER, INLET	1	6
See Page 9	See Page 9	See Page 9	See Page 9	See Page 9	CASE, BOTTOM, ASSY	1	7
BO015-3	BO015-3	BO015-3	BO015-3	BO015-3	BOLT, BOTTOM CASE	4	8
WA004-3	WA004-3	WA004-3	WA004-3	WA004-3	WASHER, BOTTOM CASE	4	9
NU003-3	NU003-3	NU003-3	NU003-3	NU003-3	NUT, BOTTOM CASE	4	10
CA035-17S	CA035-17S	CA218-11S	CA254-11S	CA254-11S	CASE, COMPRESSOR COVER, DK GRY	1	11
FO101-1	FO101-1	FO101-1	FO101-1	FO101-1	FOAM, SIDE PANEL	2	12
FO008-1	FO008-1	FO008-1	FO008-1	FO008-1	FOAM, COMPRESSOR COVER	1	13
FI001-1	FI001-1	NA	NA	NA	PRODUCT DISC FILTER	1	14
LA020-1	LA020-1	LA020-1	LA020-1	LA020-1	WARNINGS - SIDE PANEL	2	NA

*Includes Foam and necessary labeling.

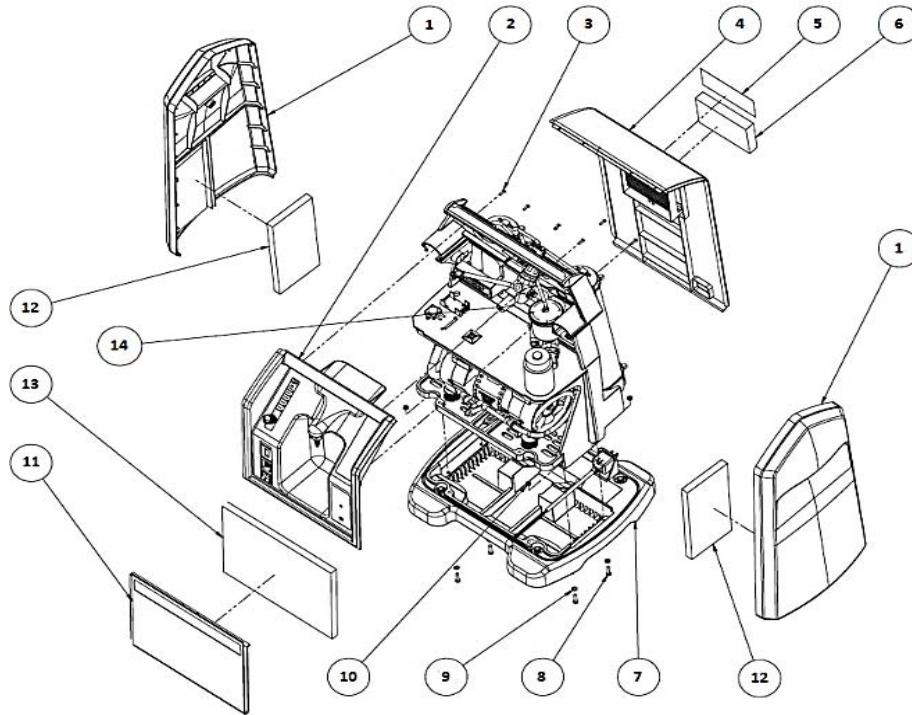


Figure 1: NewLife Main View

Figure 2: Center Section Assembly

NewLife Elite (1 LED)	NewLife Elite (3 LED)	NewLife Intensity 8 (1 LED)	NewLife Intensity 10 (1 LED)	NewLife Intensity 10 (3 LED)	Description	QTY	Seq No
See Page 6	See Page 6	See Page 6	See Page 6	See Page 6	COMPRESSOR ASSY	1	1
FO004-1	FO004-1	FO004-1	FO004-1	FO004-1	FOAM, COMPRESSOR COMPARTMENT	1	2
SC002-1	SC002-1	SC002-1	SC002-1	SC002-1	SCREW, TERMINAL BLOCK/ THERMAL SWITCH	3	3
TE040-1	TE040-1	TE040-1	TE040-1	TE040-1	TERMINAL BLOCK	1	4
NU003-1	NU003-1	NU003-1	NU003-1	NU003-1	NUT, TERMINAL BLOCK/THERMAL SWITCH	3	5
FA002-1	FA002-1	FA002-1	FA002-1	FA002-1	FASTNER, ZIP TIE MOUNT	1	6
WH096-3	AL022-1	WH096-3	WH096-3	AL022-1	ALARM BUZZER W/ HARNESS	1	7
SC003-1	SC177-1	SC003-1	SC003-1	SC177-1	SCREW, ALARM BUZZER	2	8
BT001-2	NA	BT001-2	BT001-2	NA	9V BATT BRACKET	1	9
SC004-1	NA	SC004-1	SC004-1	NA	SCREW, 9V BATT BRACKET	2	10
RG072-1*	RG072-1	RG088-1	RG088-1	RG088-1	PRESSURE REGULATOR	1	11
MI161-1 (OXY SILENT ONLY)	MI161-2	MI161-3	MI161-2	MI161-2	FILTER, INTAKE RESONATOR	1	12
NA	NA	NA	RN020-1S	RN020-1S	INTAKE RESONATOR, FIRST STAGE	1	13
TW004-1	TW004-1	TW004-1	TW004-1	TW004-1	ZIP TIE, EQ VALVE	1	14
VA003-9	VA140-1	VA003-9	VA003-1	VA003-1	EQUALIZATION VALVE - 120V	1	15
VA003-10	VA140-2	VA003-10	VA003-2	VA003-2	EQUALIZATION VALVE - 220V	4	15
FA003-1	FA003-1	FA003-1	FA003-1	FA003-1	FASTNER, WIRE HARNESS	4	16
FN001-1	FN001-1	FN022-1	FN050-1	FN050-1	FAN	1	17
SC002-6	SC002-6	SC002-6	SC002-6	SC002-6	SCREW, FAN	2	18
BE036-8S	BE036-8S	BE157-1S	BE186-1S	BE186-1S	SIEVE BED	1	19
TW002-1	TW002-1	TW002-1	TW002-1	TW002-1	ZIP TIE, SIEVE BED	4	20
F0134-1	F0134-1	F0134-1	F0134-1	F0134-1	NUT, TUBING TO SIEVE BED	2	21
See Page 8	See Page 8	See Page 8	See Page 8	See Page 8	MANIFOLD ASSY	1	22
SW002-3	SW002-3	SW002-3	SW002-3	SW002-3	THERMAL SWITCH	1	23
HA001-1	HA001-1	HA001-1	HA001-1	HA001-1	SPACER, THERMAL SWITCH	2	24
WA002-8	WA002-8	WA002-8	WA002-8	WA002-8	WASHER, THERMAL SWITCH	2	25
TA089-3	TA089-3	TA132-1S	TA132-1S	TA132-1S	TANK, MIXING ASSEMBLY	1	26
TU158-1	TU158-1	TU158-1	TU158-1	TU158-1	SIEVE BED TUBING ASSY	1	NA
NA	NA	VA543-1	VA543-1	TA543-1	CHECK VALVE, SIEVE BEDS	2	NA
CB100-1	CB196-1	CB100-1	CB100-1	CB196-1	O2 MONITOR BOARD	1	NA
NA	NA	NA	CB164-1	CB164-1	CIRCUIT BOARD, FAN POWER - 120V	1	NA
NA	NA	NA	CB164-2	CB164-2	CIRCUIT BOARD, FAN POWER - 220V	1	NA

*For previous NewLife Elite models with Mechanical High/Low Pressure Switches and Test Block use RG072-2 for Regulator, S0002-1S for Test Block, SW001-1 for Low Pressure Switch, and SW001-2 for High Pressure Switch.

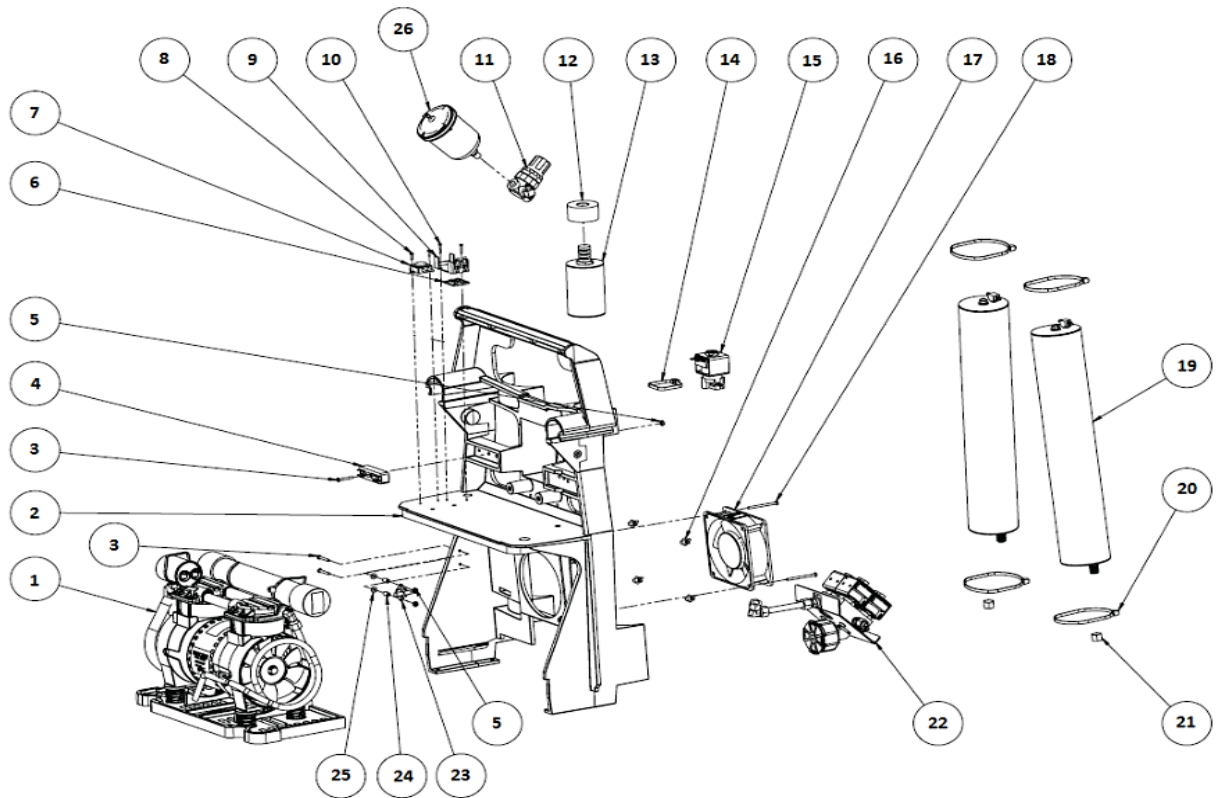


Figure 2: Center Section Assembly

Figure 3: NewLife Elite, NewLife Intensity 8 and 10 Front Panel

NewLife Elite (1 LED)	NewLife Elite (3 LED)	NewLife Intensity 8 (1 LED)	NewLife Intensity 10 (1 LED)	NewLife Intensity 10 (3 LED)	Description	QTY	Seq No
TW001-4	TW001-4	TW001-4	TW001-4	TW001-4	ZIP TIE	8	1
TU068-1S	TU168-1S	TU161-1S	TU161-2	TU161-2	OUTLET TUBING ASSY	1	2
F0004-2	F0030-1	F0004-2	F0004-2	F0004-1	FITTING, TEE	1	3
VA006-1	VA006-1	VA006-2	VA006-2	VA006-2	CHECK VALVE, VACUUM BREAK (B/W)	2	4
NA	NA	NA	VA142-3	VA142-3	CHECK VALVE, O2 OUTLET (CLEAR)	1	NA
F0317-2	F0317-2	F0317-2	F0317-2	F0317-2	FITTING, OUTLET BLOCK	1	5
F0414-1	F0414-1	F0414-1	F0414-1	F0414-1	NUT, FLOW METER TO CASE	2	6
FM033-3	FM033-3	FM044-1	FM056-1	FM056-1	FLOW METER	1	7
F0007-3	F0007-3	F0007-3	F0007-3	F0007-3	DISS FITTING, O2 OUTLET	1	8
F0025-1	F0025-1	F0025-1	F0025-1	F0025-1	DISS O2 OUTLET	1	9
SW114-1	SW114-1	SW114-1	SW114-1	SW114-1	SWITCH	1	10
HM009-2	HM009-2	HM009-2	HM009-2	HM009-2	HOUR METER	1	11
CA003-11S	CA389-1S	CA003-11S	CA003-11S	CA389-1S	FRONT CASE	1	12
CR001-1	CR001-1	CR001-1	CR001-1	CR001-1	CIRCUIT BREAKER - 120V	1	13
CR001-5 *	CR001-5*	CR001-5 *	CR001-6 **	CR001-6**	CIRCUIT BREAKER - 220V	1	13
MO002-1	MO002-1	MO002-1	MO002-1	MO002-1	FASTNER, CIRCUIT BOARD TO CASE	3	14
CB200-3S***	CB200-3S	CB154-3	CB200-1S***	CB200-1S	CIRCUIT BOARD - 120V	1	15
CB200-4S***	CB200-4S	CB154-4	CB200-2S***	CB200-2S	CIRCUIT BOARD - 220V	1	15
NA	MI450-1	NA	NA	MI450-1	HEAT SHRINK 1.25" DIAMETER	3 IN.	NA
NA	MI449-1	NA	NA	MI449-1	HEAT SHRINK 1.5" DIAMETER	2 IN.	NA

* 2 AMP

** 4 AMP

*** When installing on Non-3 LED units, please reference Service Bulletin PN 21329212 for Retro Fit instructions and Retro Fit Kit part numbers.

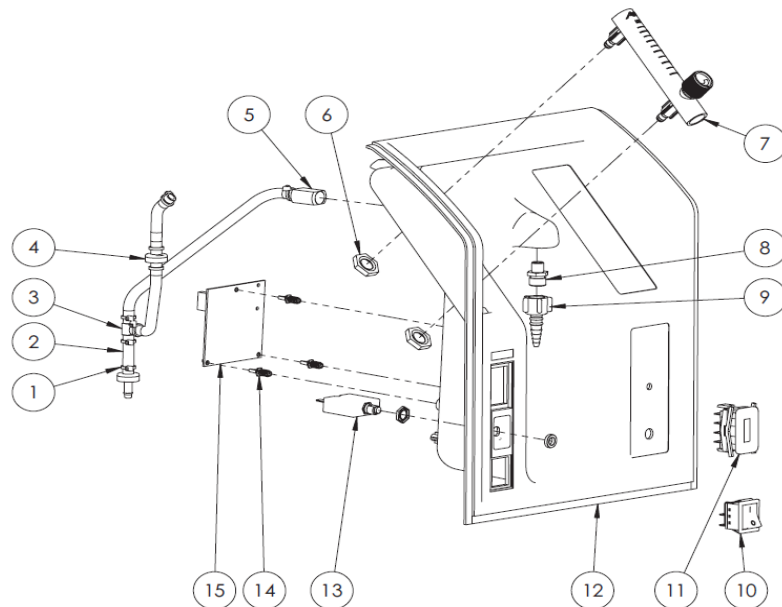


Figure 3: NewLife Elite, NewLife Intensity 8 and 10 Front Panel

Figure 4: NewLife Intensity 8 and 10 Front Panel

NewLife Intensity 8 and 10 (1 LED)	Newlife Intensity 10 (3 LED)	Description	QTY	Seq No
BK016-1	BK016-1	BRACKET, FLOW METER TO CASE	2	1
F0414-1	F0414-1	NUT, FLOW METER TO CASE	4	2
F0590-1	F0590-1	FITTING, TUBING TO OUTLET	1	3
WA021-1	WA021-1	WASHER	2	4
CA003-11S **	CA389-1S**	FRONT CASE	1	5
WA036-1	WA036-1	WASHER	1	6
B-702071-00	B-702071-00	DEMAND VALVE	1	7
F0005-2	F0005-2	FITTING, BRASS ADAPTER	4	8

**For units with Dual Flow Feature, use PN: CA003-12S and CA389-2S (3-LED) ; Light gray front panels are no longer available.

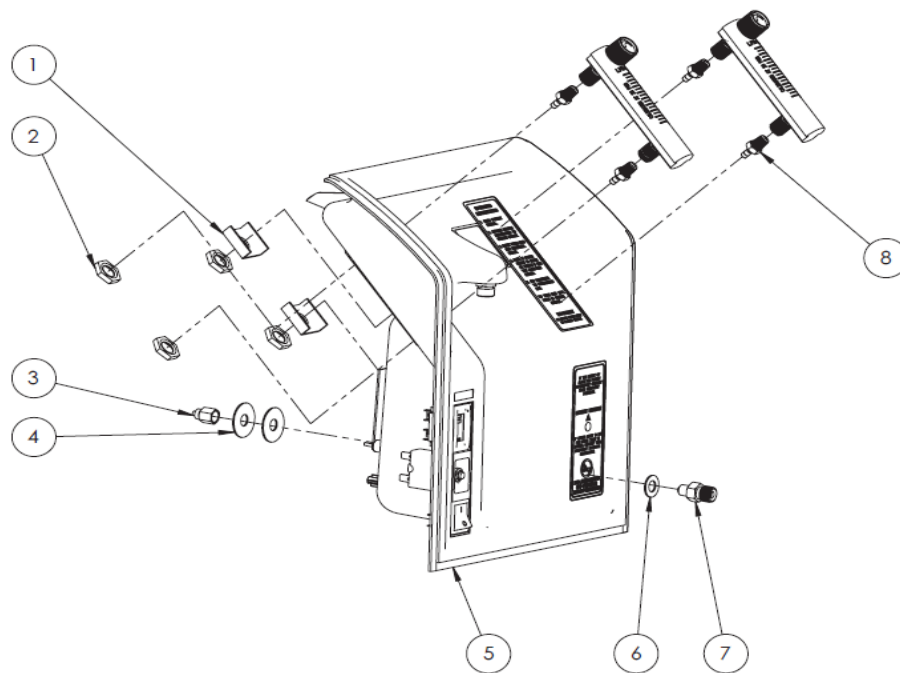


Figure 4: NewLife Intensity 8 and 10 Front Panel

Figure 5: Compressor Assembly

NewLife Elite (1 LED)	NewLife Elite (3 LED)	NewLife Intensity 8 (1 LED)	NewLife Intensity 10 (1 LED)	NewLife Intensity 10 (3 LED)	Description	QTY	Seq No
BO014-6	BO014-6	BO014-6	BO014-6	BO014-6	BOLT, COMPRESSOR MOUNT	4	1
WA023-1	WA023-1	WA023-1	WA023-1	WA023-1	WASHER, COMPRESSOR MOUNT	4	2
WA025-2	WA025-2	WA025-2	WA025-2	WA025-2	WASHER, COMPRESSOR MOUNT, RUBBER	4	3
CA009-1	CA009-1	CA009-1	CA009-1	CA009-1	COMPRESSOR MOUNTING BASE	1	4
SP005-1	SP005-1	SP005-1	SP005-1	SP005-1	SPRING, COMPRESSOR MOUNT	4	5
MI039-1	MI039-1	MI039-1	MI039-1	MI039-1	SPACER, COMPRESSOR MOUNT	4	6
MI188-1	MI188-1	MI188-1	MI188-1	MI188-1	PLASTIC WASHER, COMPRESSOR MOUNT	4	7
SC013-2	SC013-2	SC013-2	SC013-2	SC013-2	SCREW, TUBING CLASP TO COMPRESSOR	1	8
WA002-14	WA002-14	WA002-14	WA002-14	WA002-14	WASHER, TUBING CLASP TO COMPRESSOR	1	9
CL007-1	CL007-1	CL007-1	CL007-1	CL007-1	CLASP, TUBING TO COMPRESSOR	1	10
CO006-1S	CO006-1S	CO006-18S	CO306-1S	CO306-1S	COMPRESSOR ASSY 120V, 60 HZ	1	11
CO006-7S	NA	CO006-21S	CO306-2S	CO306-2S	COMPRESSOR ASSY 220V, 50 HZ	1	11
CO006-14S	CO006-14S	NA	NA	NA	COMPRESSOR ASSY (ECO CHECK 220V, 50HZ)	1	11
CO006-13S	NA	NA	NA	NA	COMPRESSOR ASSY (ECO CHECK 220V, 60HZ)	1	11
CO012-11	CO012-11	CO012-11	CO012-11	CO012-11	COMPRESSOR REBUILD KIT (JULY 2002 & LATER)	NA	NA
F0045-2	F0045-2	F0045-2	F0045-2	F0045-2	ELBOW, COMPRESSOR INLET	1	12
TW004-1	TW004-1	TW004-1	TW004-1	TW004-1	ZIP TIE, CAPACITOR	1	13
CC012-3	CC012-3	CC012-3	CC012-8	CC012-8	CAPACITOR - 120V	1	14
CC012-6	CC012-6	CC012-9	CC012-7	CC012-7	CAPACITOR - 220V	1	14
HX002-2	HX002-2	HX002-2	HX002-2	HX002-2	HEAT EXCHANGER	1	15
F0104-1	F0104-1	F0104-1	F0104-1	F0104-1	ELBOW, COMPRESSOR OUTLET	1	16
TU058-140	TU058-140	TU058-140	TU175-140	TU175-140	TUBING, RESONATOR TO COMPRESSOR	1	17
RN023-1	RN026-1	RN023-1	RN027-1	RN027-1	RESONATOR	1	18
RN024-1	RN025-1	RN024-1	NA	NA	RESONATOR (OXY SILENT)	1	18
TW004-1	TW004-1	TW004-1	TW004-1	TW004-1	ZIP TIE, RESONATOR TO CASE	2	19
TU065-1	TU065-1	TU203-2	TU203-2	TU203-1	BLOCK FEED TUBING, HEAT EXCHANGER TO VALVE BLOCK	1	20

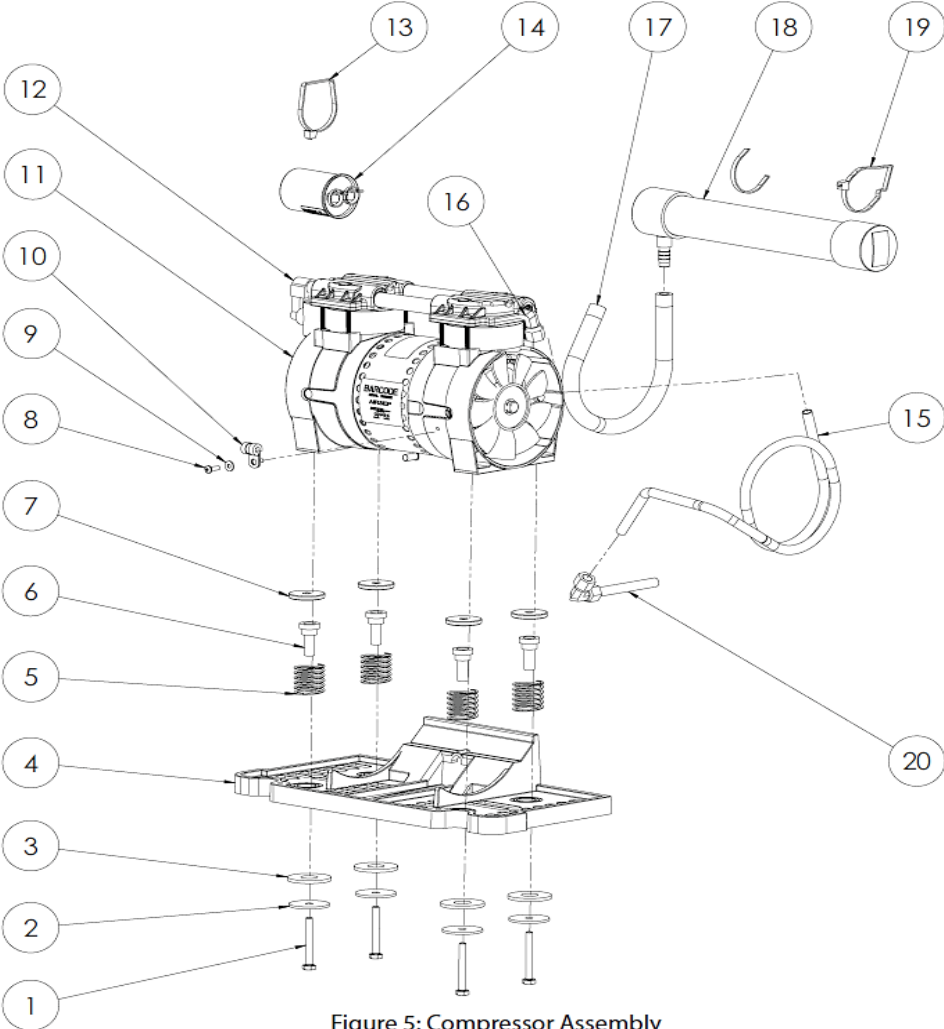


Figure 5: Compressor Assembly

Figure 6: Valve Manifold Assembly

NewLife Elite (1 LED)	NewLife Elite (3 LED)	NewLife Intensity 8 (1 LED)	NewLife Intensity 10 (1 LED)	NewLife Intensity 10 (3 LED)	Description	QTY	Seq No
MU043-1S	MU043-1S	MU043-2S	MU079-1S	MU079-1S	MUFFLER	1	1
F0016-3	F0016-3	F0016-3	F0016-3	F0016-3	NIPPLE	1	2
F0105-2	F0105-2	F0105-2	F0105-2	F0150-2	ADAPTER FITTING	1	3
F0021-1	F0021-1	F0021-1	F0021-1	F0021-1	STREET ELBOW 45DEG FITTING	2	4
VA136-1	VA136-1	VA136-1	VA136-1	VA136-1	VALVE CAP	4	5
VA374-4	VA374-4	VA374-4	VA374-4	VA374-4	COIL, SOLENOID VALVE - 120V	4	6
VA117-1	VA117-1	VA117-1	VA117-1	VA117-1	COIL, SOLENOID VALVE - 220V	4	6
VA034-1	VA034-1	VA034-1	VA034-1	VA034-1	VALVE STEM, REBUILD KIT (Includes #5)	4	7
VA001-1	VA001-1	VA001-1	VA001-1	VA001-1	SOLENOID VALVE ASSY - 120V (Includes #5, 6, 7)	4	NA
VA001-2	VA001-2	VA001-2	VA001-2	VA001-2	SOLENOID VALVE ASSY - 220V (Includes #5, 6, 7)	4	NA
F0134-1	F0134-1	F0134-1	F0134-1	F0134-1	COMPRESSION FITTING	2	8
VA290-3	VA290-3	VA290-3	VA290-3	VA290-3	MANIFOLD	1	9
BK004-2	BK004-2	BK004-2	BK004-2	BK004-2	BRACKET, MANIFOLD	1	10
WA004-3	WA004-3	WA004-3	WA004-3	WA004-3	WASHER, BRACKET TO MANIFOLD	2	11
SC001-5	SC001-5	SC001-5	SC001-5	SC001-5	SCREW, BRACKET TO MANIFOLD	2	12

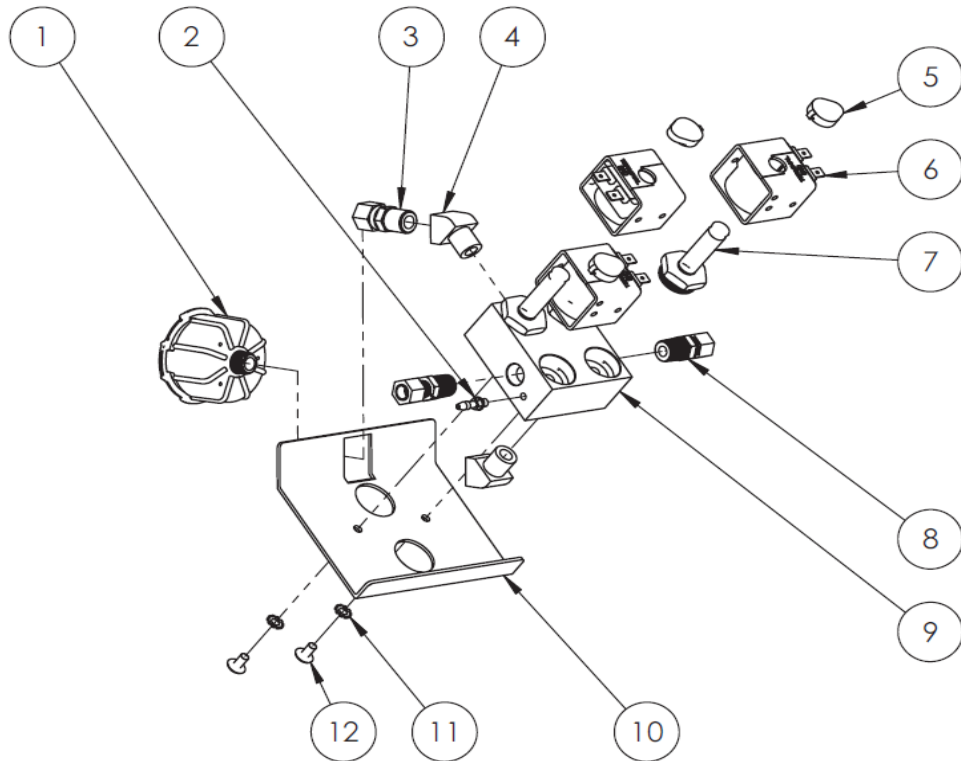


Figure 6: Valve Manifold Assembly

Figure 7: Bottom Case

NewLife Elite (1 LED)	NewLife Elite (3 LED)	NewLife Intensity 8 (1 LED)	NewLife Intensity 10 (1 LED)	NewLife Intensity 10 (3 LED)	Description	QTY	Seq No
CS001-1S	CS001-1S	CS001-1S	CS001-1S	CS001-1S	CASTER	4	1
WA002-1	WA002-14	WA002-1	WA002-1	WA002-14	WASHER, CASTER	4	2
CA201-1	CA201-11	CA201-1	CA201-1	CA201-11	CASE, BOTTOM	1	3
WA002-6	WA002-14	WA002-6	WA002-6	WA002-14	WASHER, CASTER	4	4
NU005-1	NU005-1	NU005-1	NU005-1	NU005-1	NUT, CASTER	4	5
CA007-1	CA007-11	CA007-1	CA007-1	CA007-11	CASE, POWER CORD HOUSING	1	6
CD006-1	CD006-1	CD006-1	CD006-1	CD006-1	STRAIN RELIEF, POWER CORD	1	7
CD011-2	CD001-2	CD011-2	CD011-2	CD001-2	POWER CORD, NORTH AMERICA	1	8
SC003-3	SC003-3	SC003-3	SC003-3	SC003-3	SCREW, FRONT CASE TO FRAME	2	9

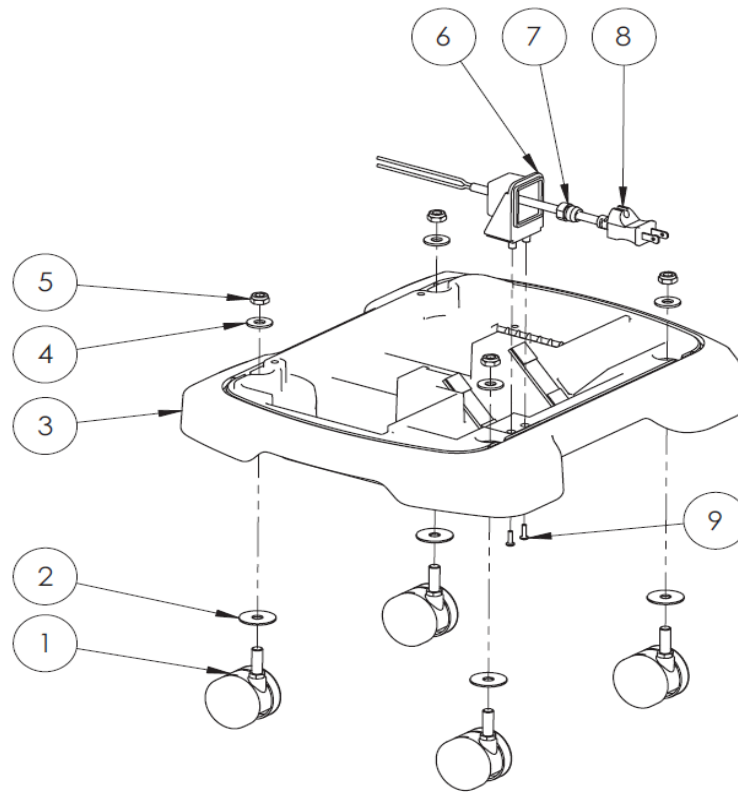


Figure 7: Bottom Case

Copyright © 2019 CAIRE Inc. CAIRE Inc. reserves the right to discontinue its products, or change the prices, materials, equipment, quality, descriptions, specifications and/or processes to its products at any time without prior notice and with no further obligation or consequence. All rights not expressly stated herein are reserved by us, as applicable.