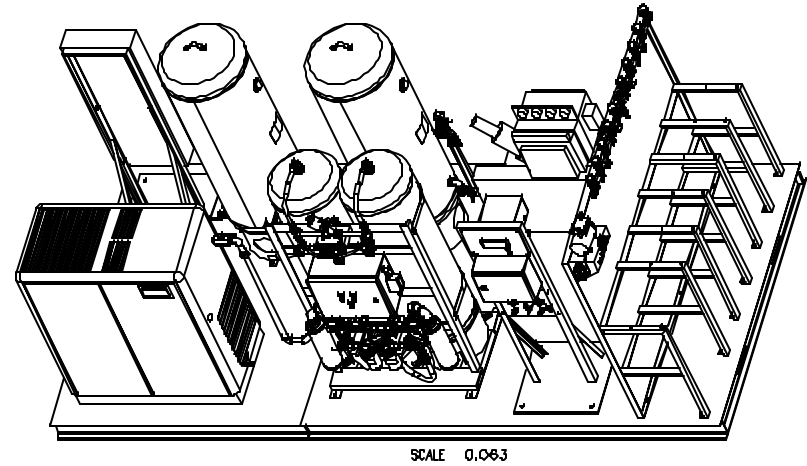
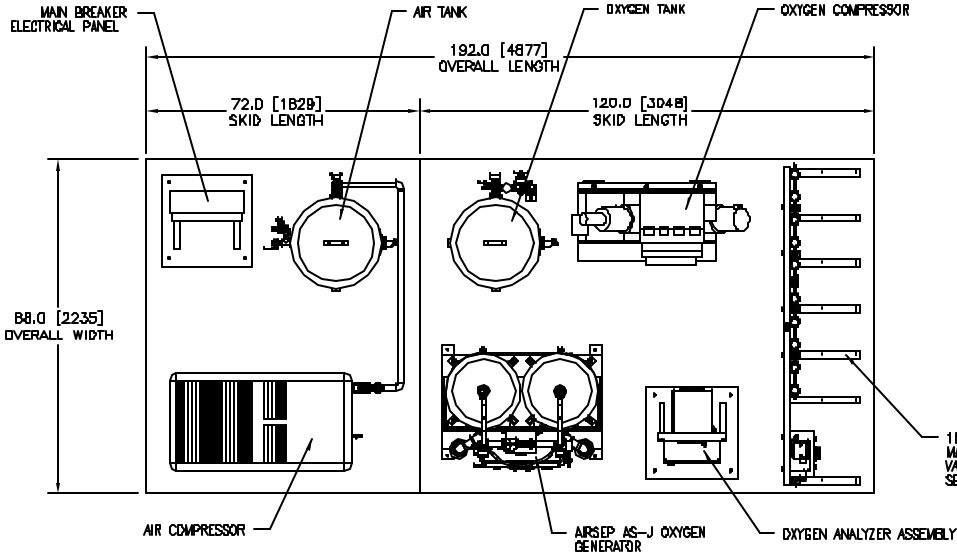
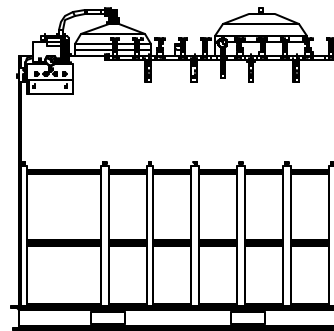
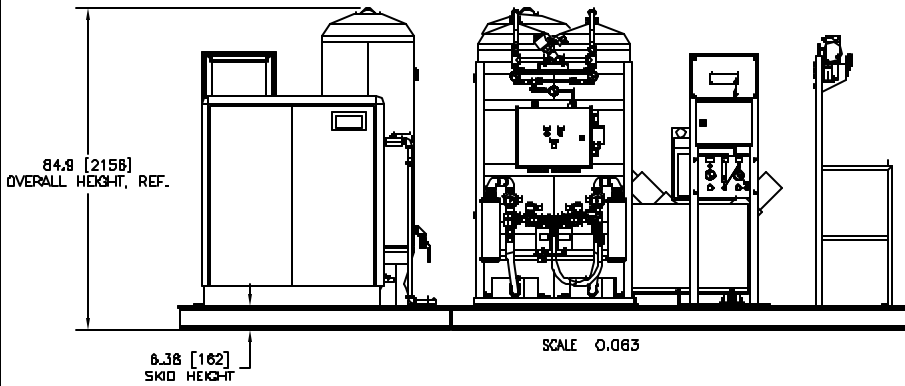


NOTES:

- 1.) DIMENSIONS SHOWN ARE IN INCHES [MILLIMETERS].
- 2.) DRAWING SHOWS MAIN COMPONENTS ONLY. DRAWING TO BE USED TO SHOW SYSTEM LAYOUT ONLY.
- 3.) TOTAL WEIGHT OF SYSTEM WILL VARY BASED ON CUSTOMER'S SITE CONDITIONS AND COMPONENT SPECIFICATIONS. TOTAL WEIGHT OF SYSTEM MAY VARY ANYWHERE BETWEEN 8,500 - 9,500 LBS. [3,992 - 4,350 Kg]



10 STATION CYLINDER FILLING MANIFOLD WITH A 4 STATION VACUUM PUMP COMPRESSOR SECURED TO A CYLINDER RACK



DRAWING SUBJECT TO CHANGE WITHOUT NOTICE

REV	REVISION	ECN #	EY	DATE	APP'D

APPROVAL	DATE	<p>ASHOD-BINDER(II) CYLINDER FILLING TYPICAL PLANT LAYOUT</p>				
DESIGNED BY	02/21/98					
CHECKED BY						
DATE						
	SEE BDM	<table border="1"> <tr> <td>W/A</td> <td>ASHOD-BINDER</td> </tr> <tr> <td>1/000</td> <td>SHEET 1 OF 1</td> </tr> </table>	W/A	ASHOD-BINDER	1/000	SHEET 1 OF 1
W/A	ASHOD-BINDER					
1/000	SHEET 1 OF 1					

# AIRSEP ASJ400-600NCR(M) CYLINDER FILLING PLANT TYPICAL PLANT LAYOUT

