

Centrox-CR™

Oxygen Cylinder Refilling Station



A secure source for oxygen...the AirSep Centrox-CR™ is a self-contained, standalone Oxygen Cylinder Filling Station. The easy to use Centrox makes operation simple and convenient.

The Centrox-CR generator can fill your cylinders with up to 93 ±3% oxygen concentration. When in auto mode, the unit enters standby automatically once the fill cycle is complete.



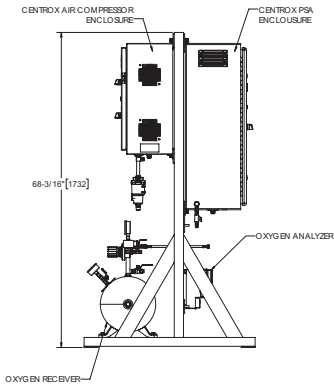
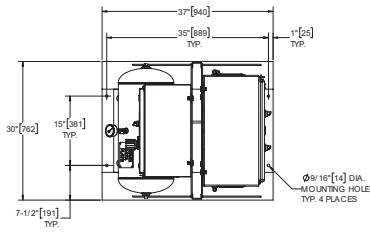
Features

- Easily installed
- Easy to operate and maintain integrated oxygen concentration monitor
- Gauges to monitor fill progress
- Sturdy straps to firmly secure cylinders during filling
- Single phase, grounded power cable
- 2.0kW power consumption
- Various pigtail connections available
- Oil free compressor and oxygen booster
- Adjustable alarm setpoint available

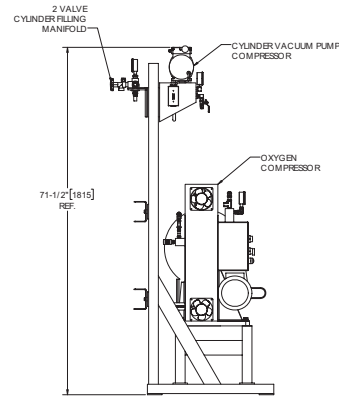
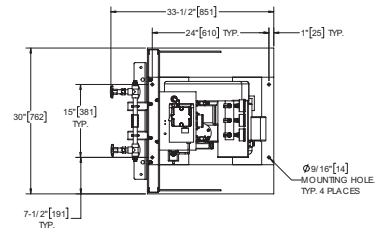
Specifications

	Centrox Bracket	Cylinder Refilling (CR) Bracket
Product Flow¹	32 SCFH (15 SLPM)	
Product Pressure	50 psig	2,200 psig
Oxygen Concentration	Up to 93 ± 3%	
Dimensions (W x D x H) (Nominal)	37 x 30 x 68 in (94 x 76 x 173 cm)	34 x 30 x 72 in (86 x 76 x 183 cm)
Weight	514 lb (223 kg)	435 lb (197 kg)
Sound Level	70 dBA	70 dBA
Ambient Operating Conditions	Locate the oxygen generator in a well-ventilated area that is protected from weather elements and remains between 40°F (4°C) and 112°F (44°C)	
Control Power Requirements (Single Phase)	120V ~+/-10%, 60Hz 15A 220V ~+/-10%, 50Hz 8A 230V ~+/-10%, 60Hz 8A	120V ~+/-10%, 60Hz 6A 220V ~+/-10%, 50Hz 3A 230V ~+/-10%, 60Hz 3A
Oxygen Receiver	12 Gallon	

¹ SCF (Standard cubic foot) gas measured at 1 atmosphere and 70°F (21°C) / SLPM (Standard liters per minute) gas measured at 1 atmosphere and 70°F (21°C)



Centrox Bracket



Centrox Refilling (CR) Bracket

Ordering Information

Model	Part Number	Description
Centrox Bracket	KI562-1	Centrox Bracket w/ Standard O2 Monitor
	KI563-1	Centrox Bracket 120V 60Hz w/Servomex Analyzer
	KI563-2	Centrox Bracket 220V 50/60Hz w/Servomex Analyzer
	KI567-1	Centrox Bracket 120V 60Hz w/Zirconia Analyzer
	KI567-2	Centrox Bracket 220V 50/60Hz w/Zirconia Analyzer
CR - Cylinder Refilling Bracket	KI564-1	Cylinder Filling Bracket 120V 60Hz
	KI564-2	Cylinder Filling Bracket 220V 50Hz
	KI564-3	Cylinder Filling Bracket 220V 60Hz
Pigtails	KI536-1	Hose Kit, CGA-540 Connection, 24" Long
	KI537-1	Hose Kit, BSP Connection, 24" Long
Options	KI046-1	Accessory Kit (Hose and Manual Valves)
	KI561-1	Flowmeter Assembly Kit for Centrox
	KI568-1	Bacteria Filter Add-On

Shipping Information	Centrox Bracket	CR-Cylinder Refilling Bracket
Class	92.5	92.5
Commodity Classification Number	8421.39.8040	8421.39.8040
Dimensions (W x D x H)	41 x 32 x 85 in (104 x 81 x 216 cm)	41 x 32 x 85 in (104 x 81 x 216 cm)
Approximate Gross Weight	670 lb (304 kg), Crated	575 lb (261 kg), Crated

High pressure cylinders are available for purchase. Contact your Sales Manager for details.

Warranty: 1 Year Parts and Factory Labor*

* An unprotected or inadequately ventilated environment or improper control power may cause damage to the oxygen generator and is not covered under warranty. Other exclusions may apply.



© 2025 AirSep Corporation. All Rights Reserved.
AirSep reserves the right to discontinue its products, or change the prices, materials, equipment, quality, descriptions, specifications and/or processes to its products at any time without prior notice and with no further obligation or consequence. Any rights expressly stated herein are reserved by us, as applicable.



260 Creekside Drive
Buffalo, NY 14228-2075 U.S.A.
Tel: (716) 691-0202 ■ Fax: (716) 691-1255
www.airsep.com ■ info@airsep.com

ML-IND0083 B