

# Centrox-CR™

## Oxygen Cylinder Refilling Station

FOR MEDICAL USE



A secure source for oxygen...the AirSep Centrox-CR™ is a self-contained, standalone Oxygen Cylinder Filling Station. The easy to use Centrox makes operation simple and convenient.

The Centrox-CR concentrator can fill your cylinders with up to 93 ±3% oxygen concentration. When in auto mode, the unit enters standby automatically once the fill cycle is complete.



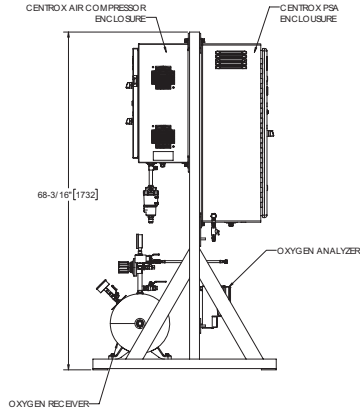
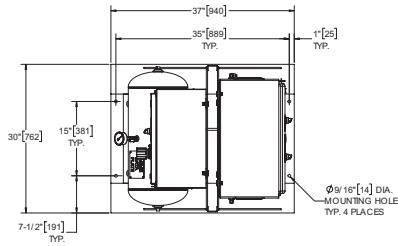
### Features

- Easily installed
- Easy to operate and maintain integrated oxygen concentration monitor
- Gauges to monitor fill progress
- Sturdy straps to firmly secure cylinders during filling
- Single phase, grounded power cable
- 2.0kW power consumption
- Various pigtail connections available
- Oil free compressor and oxygen booster
- Adjustable alarm setpoint available
- FDA 510(k) Cleared

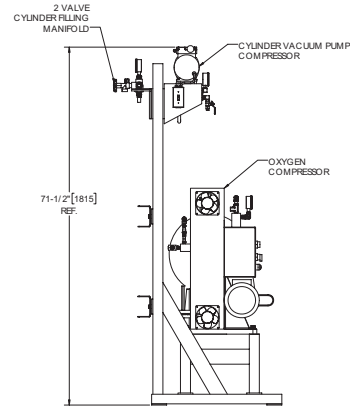
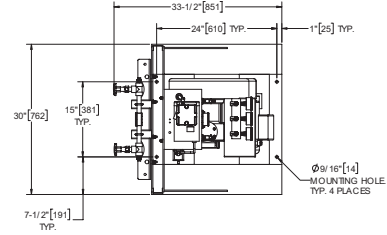
### Specifications

	Centrox Bracket	Cylinder Refilling (CR) Bracket
<b>Product Flow<sup>1</sup></b>	32 SCFH (15 SLPM)	
<b>Product Pressure</b>	50 psig	2,200 psig
<b>Oxygen Concentration</b>	Up to 93 ± 3%	
<b>Dimensions (W x D x H) (Nominal)</b>	37 x 30 x 68 in (94 x 76 x 173 cm)	34 x 30 x 72 in (86 x 76 x 183 cm)
<b>Weight</b>	514 lb (223 kg)	435 lb (197 kg)
<b>Sound Level</b>	70 dBA	70 dBA
<b>Ambient Operating Conditions</b>	Locate the oxygen generator in a well-ventilated area that is protected from weather elements and remains between 40°F (4°C) and 112°F (44°C)	
<b>Control Power Requirements (Single Phase)</b>	120V ~+/-10%, 60Hz 15A	120V ~+/-10%, 60Hz 6A
<b>Oxygen Receiver</b>	<b>12 Gallon</b>	

<sup>1</sup> SCF (Standard cubic foot) gas measured at 1 atmosphere and 70°F (21°C) / SLPM (Standard liters per minute) gas measured at 1 atmosphere and 70°F (21°C)



**Centrox Bracket**



**Centrox Refilling (CR) Bracket**

## Ordering Information

Model	Part Number	Description
<b>Centrox Bracket</b>	KI562-1	Centrox Bracket w/ Standard O2 Monitor
	KI563-1	Centrox Bracket 120V 60Hz w/Servomex Analyzer
	KI567-1	Centrox Bracket 120V 60Hz w/Zirconia Analyzer
<b>CR - Cylinder Refilling Bracket</b>	KI564-1	Cylinder Filling Bracket 120V 60Hz
<b>Pigtails</b>	KI536-1	Hose Kit, CGA-540 Connection, 24" Long
	KI537-1	Hose Kit, BSP Connection, 24" Long
<b>Options</b>	KI046-1	Accessory Kit (Hose and Manual Valves)
	KI561-1	Flowmeter Assembly Kit for Centrox
	KI568-1	Bacteria Filter Add-On Required for Medical

Shipping Information	Centrox Bracket	CR-Cylinder Refilling Bracket
<b>Class</b>	92.5	92.5
<b>Commodity Classification Number</b>	8421.39.8040	8421.39.8040
<b>Dimensions (W x D x H)</b>	41 x 32 x 85 in (104 x 81 x 216 cm)	41 x 32 x 85 in (104 x 81 x 216 cm)
<b>Approximate Gross Weight</b>	670 lb (304 kg), Crated	575 lb (261 kg), Crated

**High pressure cylinders are available for purchase. Contact your Sales Manager for details.**

### Warranty: 1 Year Parts and Factory Labor\*

\* An unprotected or inadequately ventilated environment or improper control power may cause damage to the oxygen generator and is not covered under warranty. Other exclusions may apply.



© 2025 AirSep Corporation. All Rights Reserved.  
AirSep reserves the right to discontinue its products, or change the prices, materials, equipment, quality, descriptions, specifications and/or processes to its products at any time without prior notice and with no further obligation or consequence. Any rights expressly stated herein are reserved by us, as applicable.



260 Creekside Drive  
Buffalo, NY 14228-2075 U.S.A.  
Tel: (716) 691-0202 ■ Fax: (716) 691-1255  
www.airsep.com ■ info@airsep.com

ML-IND0089 B