

# Liberator 10







PATIENT  
OPERATING  
INSTRUCTIONS

# Oxygen Unit **LIBERATOR 10**

# Liberator 10

## Warning Information

Read this page carefully before using your unit.

-  • The unit contains liquid oxygen which is extremely cold; almost 300 degrees below zero Fahrenheit. Exposure to such a low temperature can cause severe frostbite.
-  • Liquid and gaseous oxygen, though nonflammable, cause other materials to burn faster than normal. This hazard, along with the low temperature of liquid oxygen, warrants certain safety precautions.
- Do not use or store your unit in an area where combustible materials such as oils, greases, aerosol sprays, lotions or solvents are present.
-  • Do not smoke while operating unit.
- Do not use or store your unit within five feet of electrical appliances, especially stoves, heaters, toasters, and hair dryers.
-  • Keep your unit in a well-ventilated area.
- In the event of an accidental tip-over, immediately but

cautiously return unit into an upright position. If any liquid oxygen is escaping, leave the area immediately and call your health care provider.



- Do not touch the frosted parts of any unit.
- Do not store or operate the portable coupled to the Liberator/Low Loss.
- Applicable EMC information can be found in the Spirit Service Manual at [www.cairemedical.com](http://www.cairemedical.com).

## Explanation of Other Symbols



Name and address of manufacturer



Authorized representative in the European Community



Caution, consult accompanying documents



Non-flammable gas



Oxidizing substances



Type B Applied Part (degree of protection against electric shock)

# *Patient's Records*

---

**Patient's Name**

---

**Prescribed Oxygen Flow Setting**

---

**Doctor's Telephone Number**

---

**Distributor's Name**

---

**Person to Contact**

---

**Distributor's Emergency Telephone Number**

---

**Special Instructions**

---

---

---

---

# Liberator 10

---

## Table Of Contents

Introduction	4
Portable	5
Warning Information	6-7
Controls	8
Operating Instructions	9-12
Additional Information	13

**Important:** Read this manual thoroughly before operating the Liberator/Low Loss.

Rx only.

**Warning:** This device is not intended for life sustaining use.

**Caution:** Use the Liberator/Low Loss only as directed by your doctor.

**Warning:** If you feel the equipment is not operating properly, call your health care provider. Do not attempt to repair or adjust the units yourself.

# *Liberator 10*

## **Introduction**

The Liberator 10 provides you with supplementary oxygen as prescribed by your physician.

The Liberator 10 is the larger container of a liquid oxygen system and is intended for stationary use. You may take oxygen directly from the Liberator 10. The unit is filled by your distributor.



*Liberator 10  
Side Fill*



*Liberator 10  
Top Fill*

# *Liberator 10*

---



CAIRE's Portable Oxygen Units

## **The Portable**

The Portable unit is the smaller container of a liquid oxygen system. The Portable provides an easily-carried source of oxygen for an extended period of time. You fill the Portable from the Liberator10.

Remember: Use the Liberator 10/Portable only as directed by your doctor. If you feel that the equipment is not operating properly, call your distributor. Don't attempt to repair or adjust the units yourself.

The Liberator10 is compatible with all CAIRE portables and most other types of liquid oxygen portable units. Read and understand all user instructions for the portable you are using. These instructions should be supplied with your portable unit.

## Safety Information

Read this page carefully before using your Liberator 10.

Warning: The Liberator 10 contains liquid oxygen which is extremely cold; almost 300 degrees below zero Fahrenheit. Exposure to such a low temperature can cause severe frostbite.

Warning: Liquid and gaseous oxygen, though nonflammable, cause other materials to burn faster than normal. This hazard, along with the low temperature of liquid oxygen, warrants certain safety precautions:

- Do not smoke while operating either unit.
- Do not use or store your Liberator 10 or Stroller within five feet of electrical appliances, especially stoves, heaters, toasters, and hair dryers.
- Firmly secure the Liberator 10 in an upright position whenever travelling with the unit in a vehicle.
- Do not use or store your Liberator 10 in an area where combustible materials such as oils, greases, aerosol sprays, lotions or solvents are present.

# *Liberator 10*

---

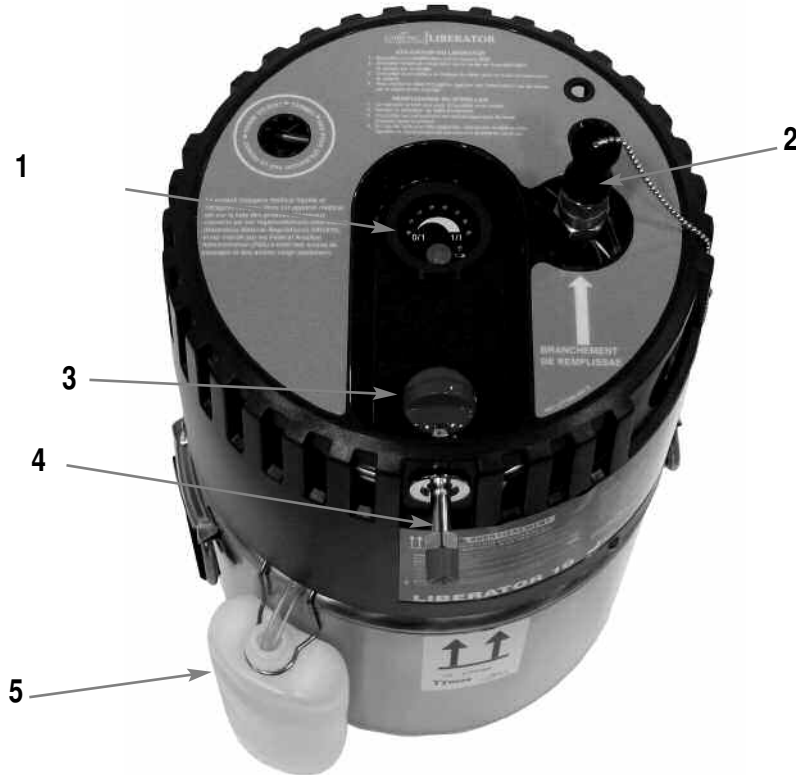
Keep your Liberator 10 in a well-ventilated area. Open windows several inches if leaving the Liberator 10 in a vehicle.

- In the event of an accidental tip-over, immediately but cautiously place the Liberator 10 back into an upright position and call your distributor.
- If any liquid oxygen is escaping, leave the area immediately and call your distributor.

- Do not touch the frosted parts of any unit.
- Do not store a portable coupled to the Liberator 10.
- Always turn the Liberator 10 off when not in use.
- Ask for assistance when moving or carrying a filled Liberator 10.



# *Liberator 10*



## Controls

1. Liquid Level Gauge

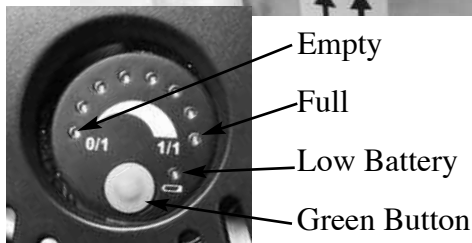
2. Portable Fill Connector—Top Fill (Portable  
Fill Connector—Side Fill, not pictured)

3. Flow Control Knob

4. DISS Connection

5. Condensation Collection Bottle

# Liberator 10



## Operating Instructions—Liberator 10

1. To check the level of liquid oxygen in units with the Gen 4 liquid level gauges:

- Depress the green operate button on the Gen 4 gauge. The lit LEDs will scroll from right to left and then left to right, stopping at the appropriate level-indicating LED.

**Warning:** The Liberator 10 is empty if LED 1 remains lit.

- If the Low Battery Indicator lights up when the button is depressed, inform your distributor the next time your Liberator 10 is filled.

**Note:** The Liberator 10 will continue to supply oxygen even if the Low Battery Indicator lights up, as long as there is liquid oxygen in the unit.

# Liberator 10

---

## Operating Instructions

1. Use the following chart as a guideline to determine the length of time the Liberator 10 will operate:

FCV Setting												
Model	Off	.25	.50	.75	1.0	1.5	2.0	2.5	3.0	4.0	5.0	6.0
L-10	21.4	19.8	13.3	8.7	6.5	4.3	3.2	2.6	2.2	1.6	1.3	1.1

**Note:** Times are in days and hours

# *Liberator 10*

---



3. Attach a humidifier bottle to the DISS connection.

- Fill the humidifier bottle with distilled water to the proper level as indicated in the humidifier instructions.
- Attach your breathing cannula to the oxygen tube connector on the humidifier.

4. Turn the flow control knob clockwise until the prescribed flow rate (numeral) is visible in the knob “window”, and a positive detent is felt.

**Warning:** The knob should not be set higher than the maximum prescribed flow rate. Out-of-specification oxygen flow will result if the flow control knob is set between flow rates. An indication of oxygen flow is the presence of bubbles in the humidifier bottle.

# Liberator 10

---

5. Adjust your breathing cannula to the proper position to breathe comfortably.
6. You should be receiving oxygen now. Check to make sure that there are bubbles in the humidifier bottle.

**Note: Under certain environmental conditions and with continuous use, the Liberator 10 may develop an abnormal amount of ice on the warming and breathing coils within the shroud. You should defrost the unit between liquid oxygen fills to prevent this ice build-up. To defrost the unit:**

- Fill a Portable so that you can continue to receive oxygen while the Liberator 10 defrosts.
- Set the Liberator 10 flow control knob to 0, and allow the unit to warm to room temperature, as indicated by the melting of all ice from the unit.
- Check the condensation collection bottle frequently

during defrosting and empty as required.

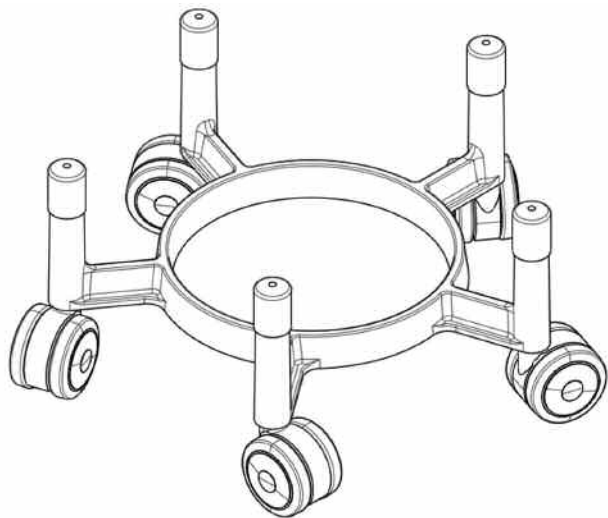
- If the Portable runs low before the Liberator 10 is fully defrosted, you may refill it as needed.

# *Liberator 10*

---

## Accessories

A roller base (P/N 10585858) is available to assist the patient to safely and easily move the Liberator 10. The roller base is constructed of powder-coated, castaluminum for durability and light-weight.





2200 Airport Industrial Dr., Ste. 500

Ball Ground, GA 30107

U.S.A.

[www.cairemedical.com](http://www.cairemedical.com)

M. D. D. Representative:

Medical Product Services

Borgasse 20

35619 Braunfels, Germany

Ref 11672507 Rev D

