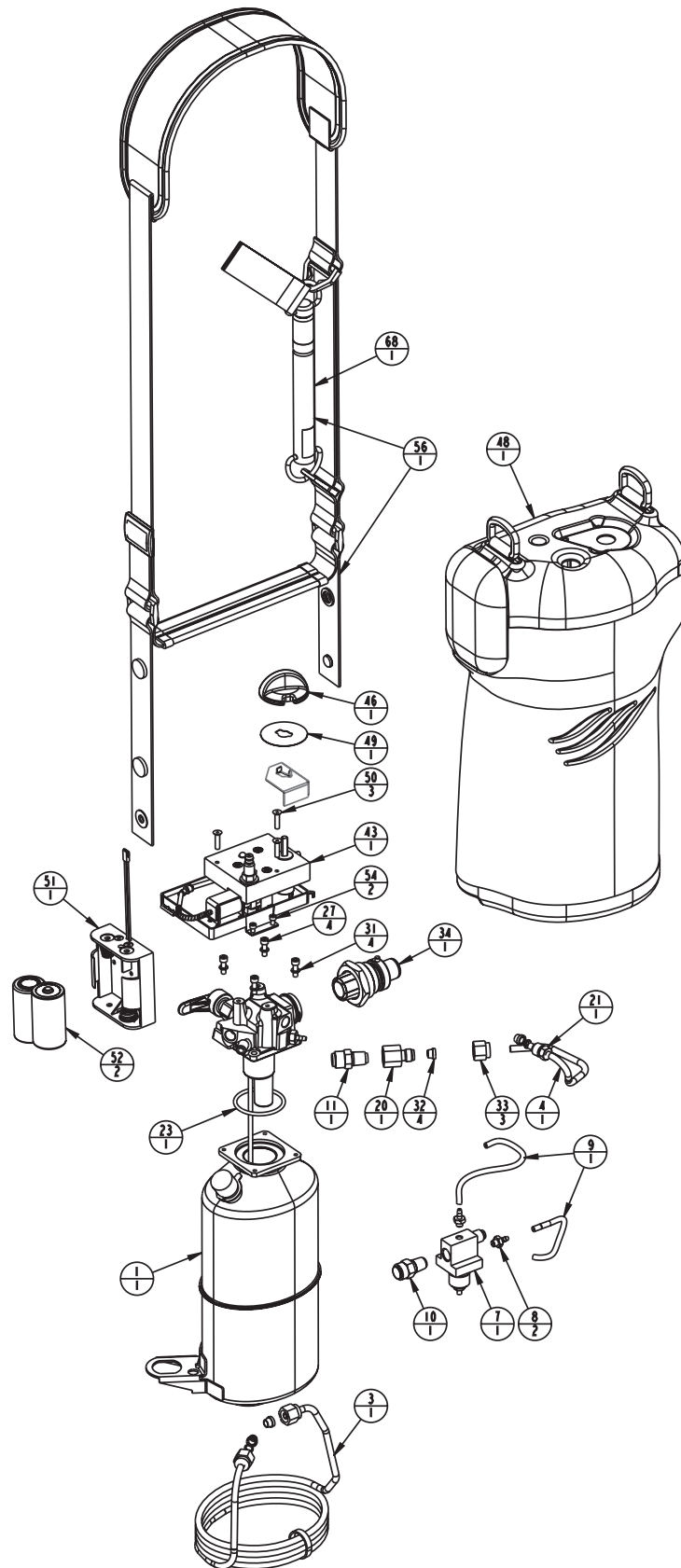








## Configurable Diagram—Side Fill

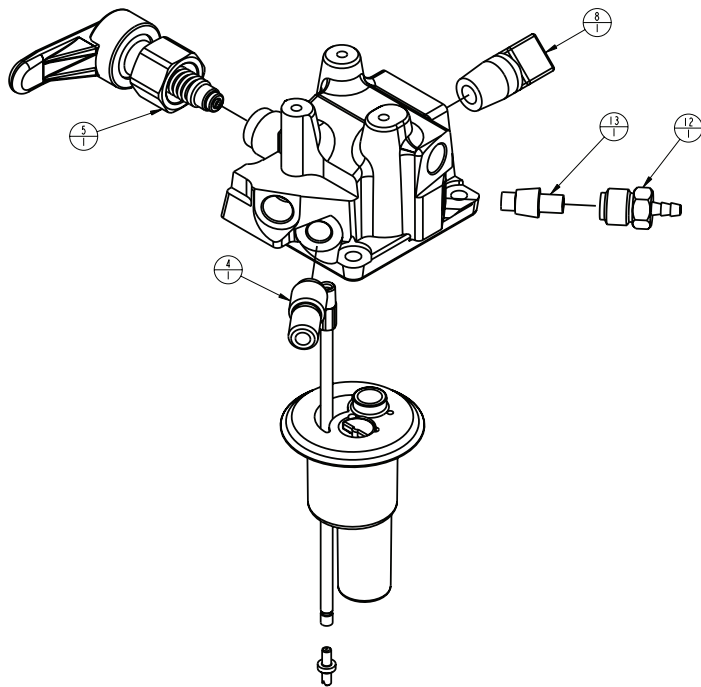


Parts list

## Manifold—Meter

Key	Description	300 TF	300 SF	600 TF	600 SF	1200 TF	1200 SF	#
4	Vaporizer Fitting - SS	CA404839	CA404839	CA404839	CA404839	CA404839	CA404839	1
5	Vent-Valve	14004395	14004395	14004395	14004395	14004395	14004395	1
6	Retaining Ring SF QDV		10776769		10776769		10776769	1
7	Side Fill QDV		10577866T		10577866T		10577866T	1
	Side Fill QDV O-Ring		CA404838		CA404838		CA404838	1
8	Fill Elbow - Brass	10636395		10636395		10636395	10636395	1
12	Barb Fitting (to economizer)	11539221	11539221	11539221	11539221	11539221	11539221	1
13	Feed-Thru Ferrule	11878450	11878450	11878450	11878450	11878450	11878450	1

### Manifold Diagram—Top Fill



### Manifold Diagram—Side Fill

