



SERVICE BULLETIN

PN: 20609945

RELEASE DATE: 14 March, 2019 (Rev C)

REVISION DATE(S): 13 June 2012 (Rev A), 19 December 2016 (Rev B)

MODEL: Companion C1000 and Companion C1000T

ISSUE: Change in FCV Part Number

NOTES: Effective 01/01/2017, the part number for the flow control valve on all Companion portable units will change. The current part number will change back to the original part number to make it easier for documentation and traceability purposes. The functionally and physical appearance of the flow control valve will remain the same. Below in Figure 1 and Figure 2 illustrates the change in part numbers while the flow control valves for the C1000 and C1000T remain the same. The new flow control valve kit is also a direct replacement for any older units.



Previous C1000 FCV (B-775859-FLO)



New C1000 FCV (B-775859-00)

(Figure 1 -- Flow Control Valve Part number
Change C1000)



Previous C1000T FCV (B-775889-FLO)



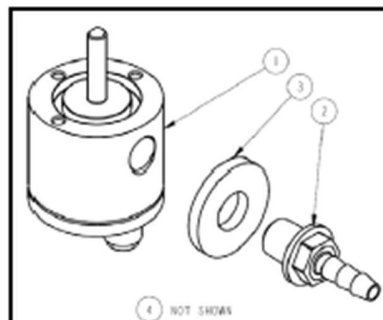
New C1000T FCV (B-775889-00)

(Figure 2 -- Flow Control Valve Part Number Change C1000T)

If the previous style of flow control valves, manufactured before 7/15/2012, are being replaced with the new style, the part numbers shown in Table 1 are required. The newer valves have a smaller diameter requiring the spacer and the longer outlet barb in order to fit properly. The kit is shown in Figure 3. However, if the unit has the newer style flow control valve kit installed, just the flow control valve can be ordered as a replacement using the part numbers in Figures 1 and 2.

Model	Flow Control Valve Being Replaced	Flow Control Valve PN Needed
C1000	B-775859-00 (prior to 7/15/12)	20592889
C1000T	B-775889-00 (prior to 7/15/12)	20592890
C1000	B-775859-00 (after to 7/15/12)	B-775859-00
C1000T	B-775889-00 (after to 7/15/12)	B-775889-00
C1000	B-775859-FLO	B-775859-00
C1000T	B-775889-FLO	B-775889-00

(Table 1 -- Flow Control Valve Kit Part Numbers)



(Figure 3 -- Flow Control Valve Kit Diagram)

CONTACT: For technical questions or concerns, contact Technical Service:

USA: 800-482-2473

www.cairemedical.com

Europe: +44 (0) 118 936 7060

www.cairemedical.com

For ordering information or general inquiries, contact Customer Service:

USA: 800-482-2473

www.cairemedical.com

Europe: +44 (0) 118 936 7060

www.cairemedical.com

Copyright © 2019 CAIRE Inc. CAIRE Inc. reserves the right to discontinue its products, or change the prices, materials, equipment, quality, descriptions, specifications and/or processes to its products at any time without prior notice and with no further obligation or consequence. All rights not expressly stated herein are reserved by us, as applicable.