

Figure 1: FreeStyle 5 Main View

Item Number Freestyle 5	Item Number Freestyle 5 Refresh	Description	Quantity	Bubble Seq No
MI233-1	MI233-1	Polyurethane Feet, .5" Dia.	4	1
CA323-1	CA346-1	Inlet Filter Cover	1	2
FI194-1	FI194-1	Inlet Filter	1	3
SC110-1	SC110-1	Front/Rear Cover Screws	7	4
CA319-1	CA336-1	Front Cover (Only)	1	5
FO165-1	N/A	Front Cover Foam	2	6
FI195-1	FI222-1	Outlet Filter	2	7
F0589-1	F0885-1	O2 Outlet	1	8
CA298-1	N/A	Control Panel Cover	1	9
CA299-1	CA345-1	Handle	1	10
CA321-1	CA334-1	Rear Cover	1	11
N/A	BT033-1	Battery External	1	12

Note: Refreshed Freestyle cases are white with a blue handle.

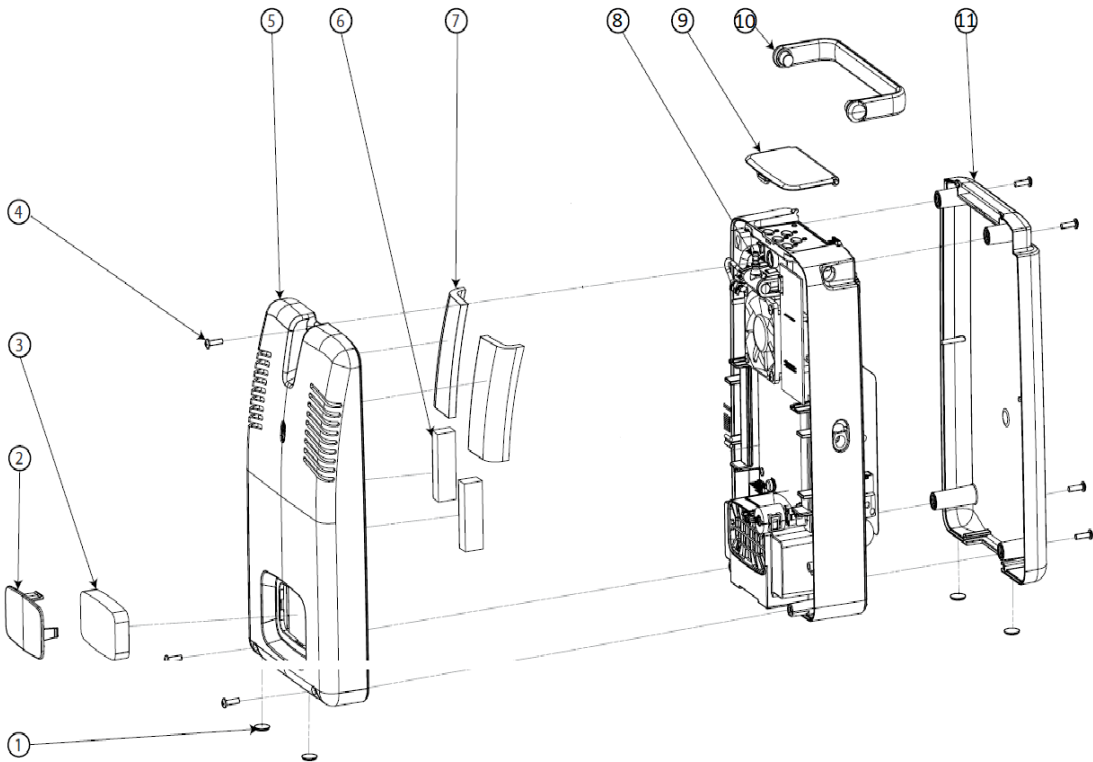


Figure 1A: Freestyle 5 Main View

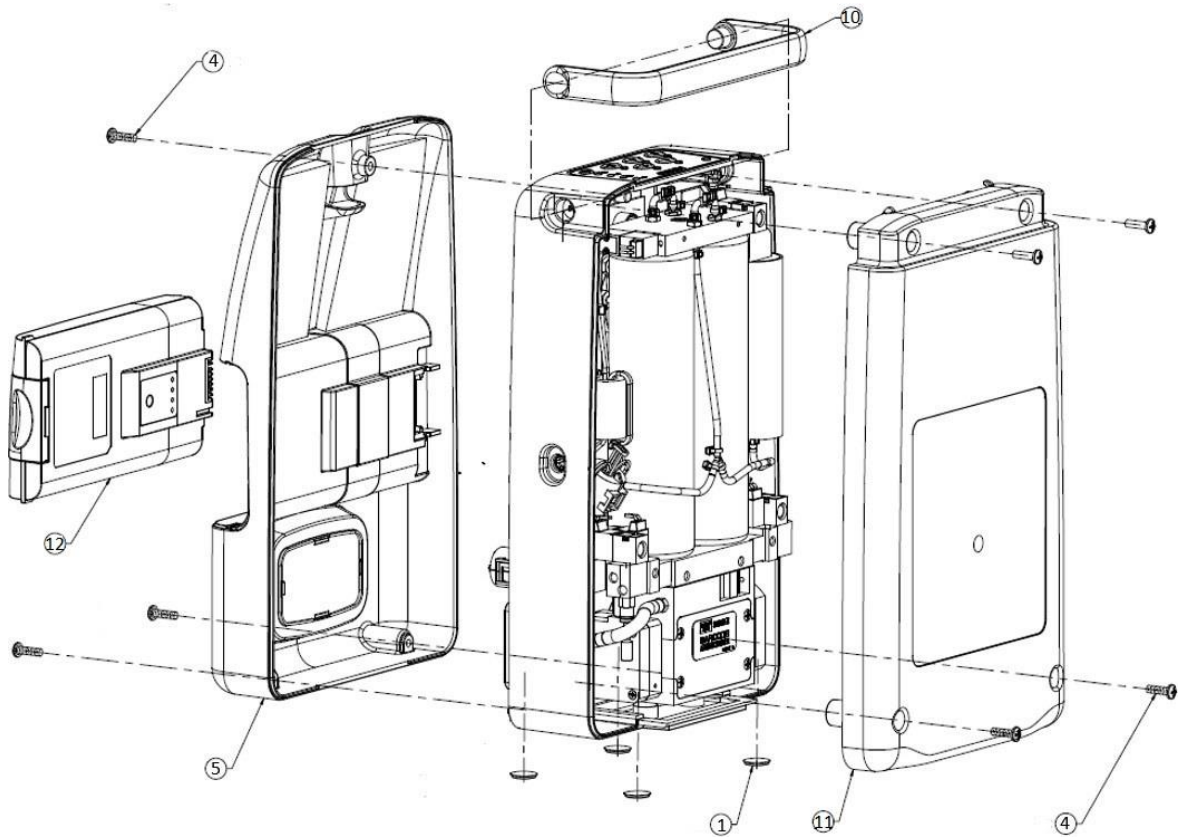


Figure 1B: Freestyle 5 Main View Refresh

Figure 2: FreeStyle 5 Front View

Item Number Freestyle 5	Item Number Freestyle 5 Refresh	Description	Quantity	Bubble Seq No
FO139-1	FO139-1	Compressor Wiring Foam Spacer	1	1
OR029-1	OR029-1	Silicone O-Ring (Attached to Oxygen Outlet Port)	1	2
F0589-1	F0885-1	Oxygen Outlet Port	1	3
SC100-2	SC100-2	Cross-Head Screw #8/32", 1/4"LG (Behind Oxygen Out	1	4
TW011-1	TW011-1	Tie-Wrap	2	5

Note: Refreshed Freestyle oxygen outlet port is blue.

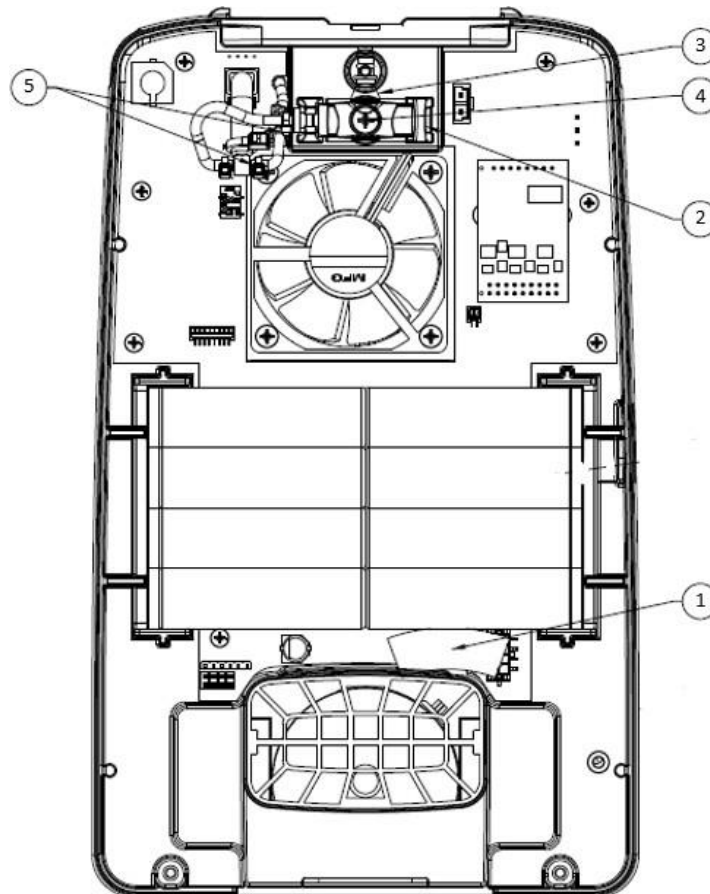


Figure 2: Freestyle Front

Figure 3: FreeStyle 5 Internal Exploded View

Item Number Freestyle 5	Item Number Freestyle 5 Refresh	Description	Quantity	Bubble Seq No
SC037-3	SC037-3	Self-Tapping Cross Head Screw #4-20, 1/4"LG, Main Circuit	7	1
CB115-1S	CB178-1S	Main Circuit Board Assembly w/ OCD Sensor Tubing Assembly,	1	2
SC002-1	SC002-1	Screw, Stl, Pnh Phillips, #6-32 x, Cooling Fan	4	3
FN038-1	FN038-1	Cooling Fan	1	4
CP157-1	CP170-1	Membrane Panel w/ Ribbon Cable	1	5
GS030-1	GS030-1	Gasket, Nozzle	1	6
NU003-1	NU003-1	#6-32 Hex Nut, Cooling Fan	4	7
WH101-2S	WH137-1	Power Input Harness	1	8
CA324-1	CA335-1	Center Cabinet Housing	1	9
CA322-1	N/A	Center Cabinet Housing, Light Grey	1	9
FA029-3	N/A	Black Velcro Fastener Hooks	2	10
CB134-1	CB116-1	Motor Control Circuit Board	1	11
N/A	WH139-1	Battery Power Harness	1	12
N/A	WH140-1	Battery Gauge Wire Harness	1	13
N/A	CB177-1	Battery Circuit Board	1	14

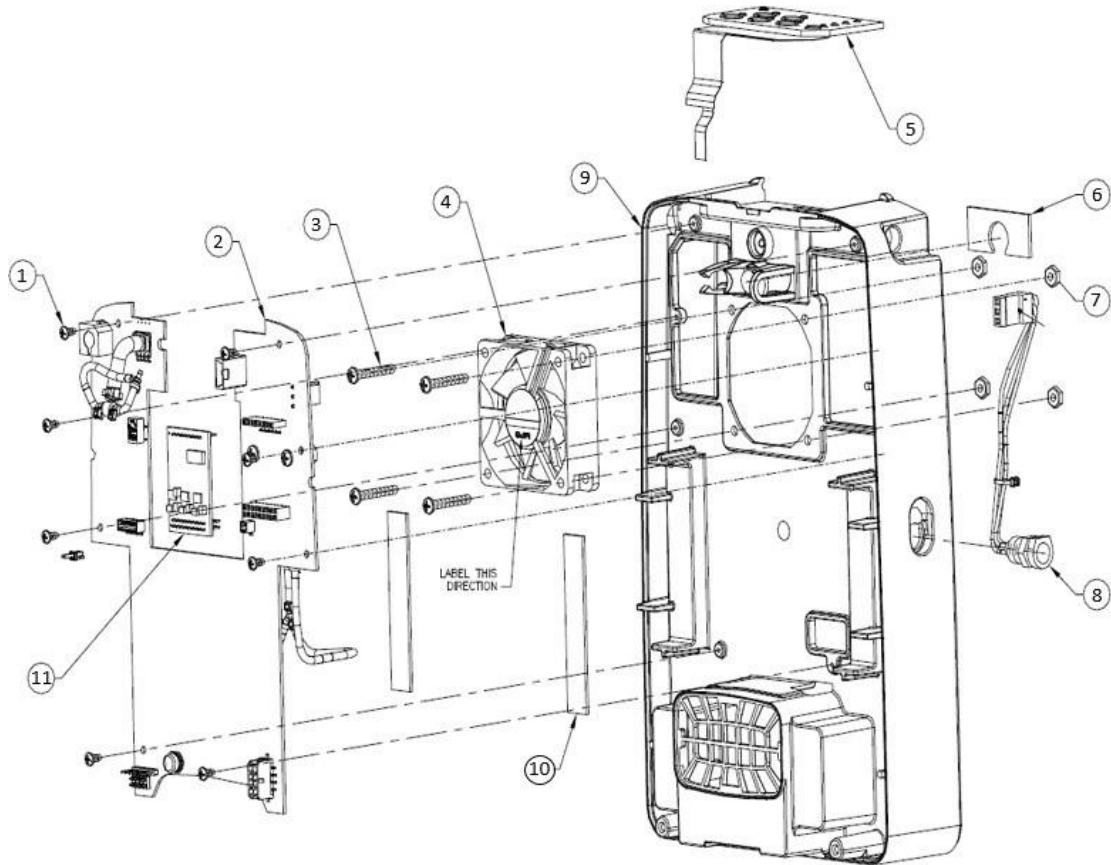


Figure 3A: Freestyle 5 Internal Exploded View

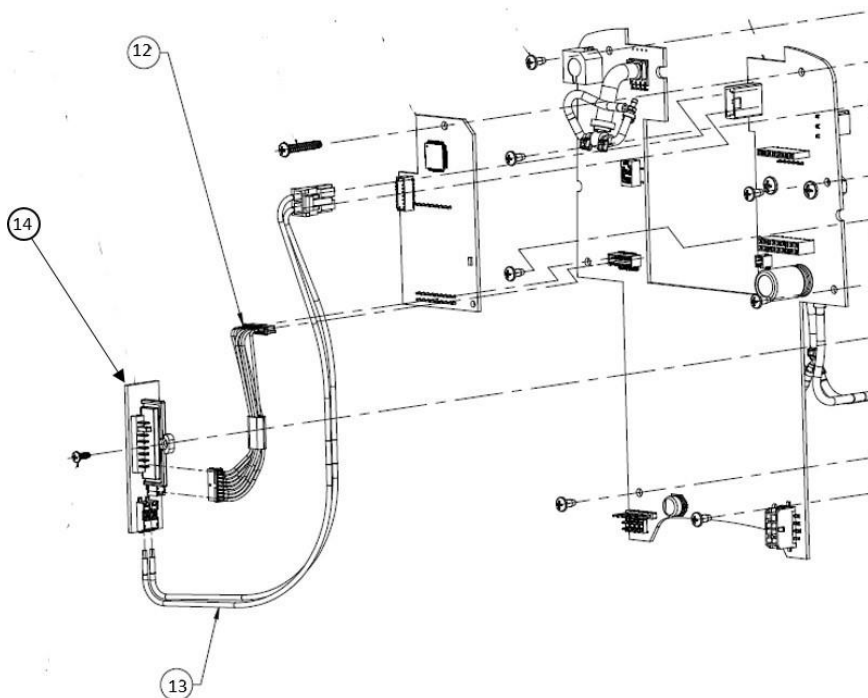


Figure 3B: Freestyle 5 Refresh Internal Exploded View

Figure 4: Sieve Bed/Manifold/Solenoid Valve Exploded View

Item Number Freestyle 5	Item Number Freestyle 5 Refresh	Description	Quantity	Bubble Seq No
SC105-2	SC105-2	Hex-Head Screw #10-32, 7" LG	1	1
VA557-5	VA557-5	OCD Solenoid Valve	1	2
MA216-1S	MA216-1S	Product Manifold Assembly	1	3
OR026-1	OR026-1	Buna O-Ring	1	4
TA155-1S	TA155-1S	Product Tank Assembly	1	5
TW011-1	TW011-1	Tie-Wrap	1	6
OR027-2	OR027-2	Buna O-Ring	2	7
VA557-3	VA557-3	Waste B Solenoid Valve	1	8
VA557-3	VA557-3	Feed B Solenoid Valve	1	9
MA215-1S	MA215-1S	Feed/Waste Manifold Assembly	1	10
OR025-3	OR025-3	Buna O-Ring	2	11
GS029-1	GS029-1	Compressor Manifold Gasket	1	12
F0593-1	F0593-1	Compressor Intake Fitting	1	13
OR028-1	OR028-1	Buna O-Ring	2	14
SC002-4	SC002-4	Cross-Head Screw #6-32, 1/4" LG	1	15
CA318-1	CA347-1	Compressor Mounting Plate	1	16
CO386-1S	CO386-1S	Compressor Assembly	1	17
F0593-1	F0593-1	Compressor Blowdown Fitting	1	18
F0293-1	F0293-1	Pressure Port Plug	1	19
VA557-3	VA557-3	Waste A Solenoid Valve	1	20
VA557-3	VA557-3	Feed A Solenoid Valve	1	21
BE214-1S	BE214-1S	Sieve Bed Set	1	22
OR027-1	OR027-1	Buna O-Ring	2	23
TU202-1S	TU202-1S	Pressure Senso Tubing	1	24
VA557-5	VA557-5	Equalization Solenoid Valve	1	25
FI143-2	FI143-2	Felt Filter for Compressor Inl	1	26
FI176-1	FI176-1	Felt Filter for Compressor Blowdown	1	27

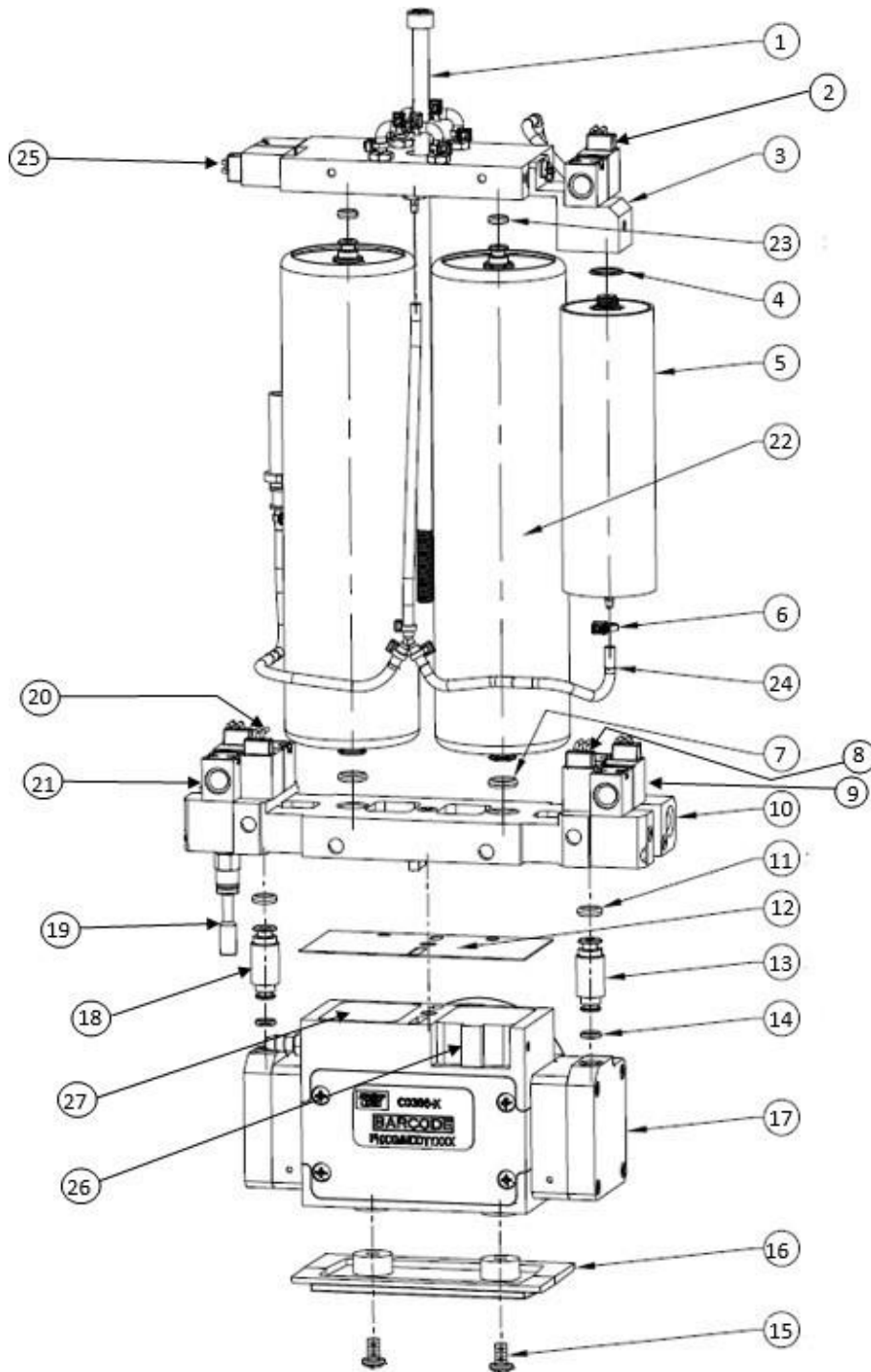


Figure 4: Sieve Bed/Manifold/Solenoid Valve Exploded View

Copyright © 2021. CAIRE Inc. reserves the right to discontinue its products, or change the prices, materials, equipment, quality, descriptions, specifications and/or processes to its products at any time without prior notice and with no further obligation or consequence. All rights not expressly stated herein are reserved by us, as applicable.